

MAXWATT®

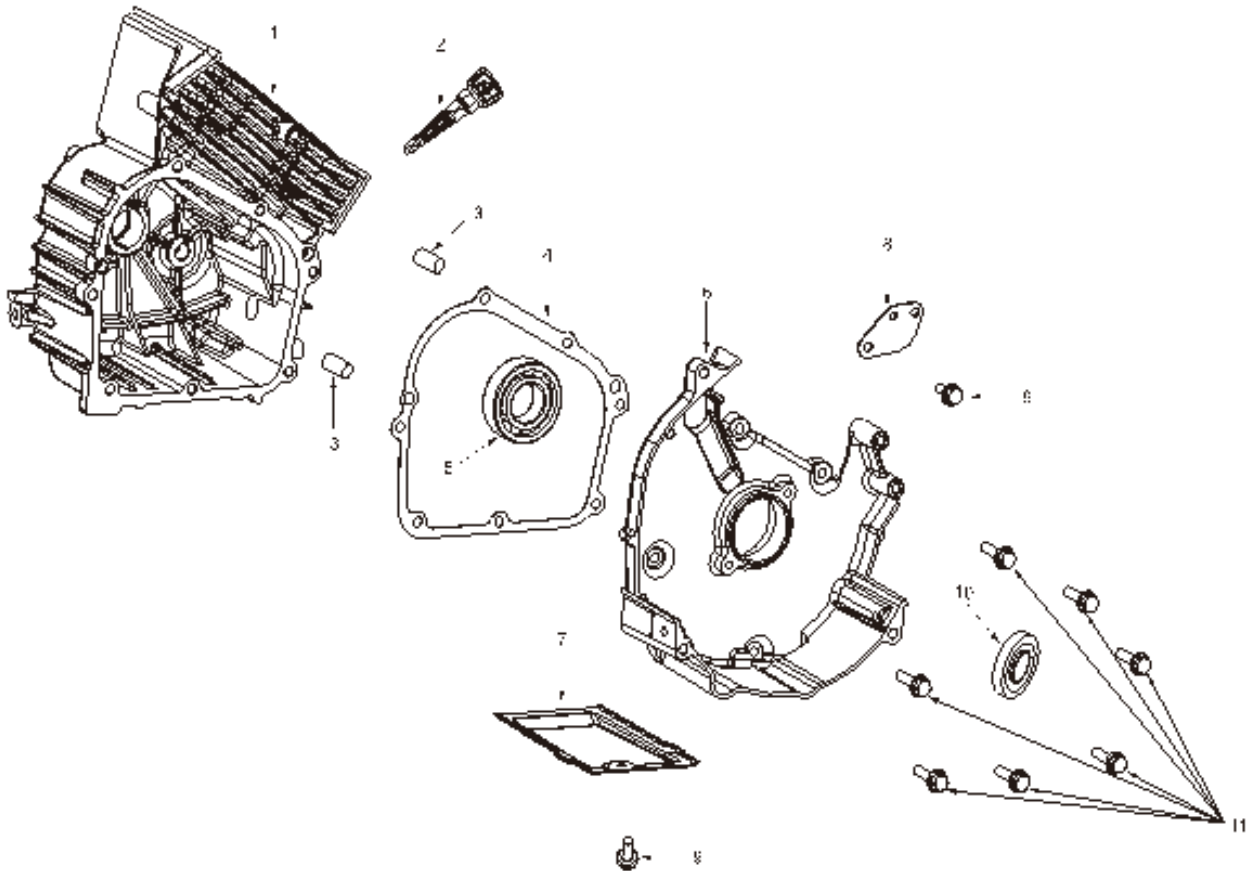
POWER WHEN YOU NEED IT

SPARE PARTS CATALOGUE



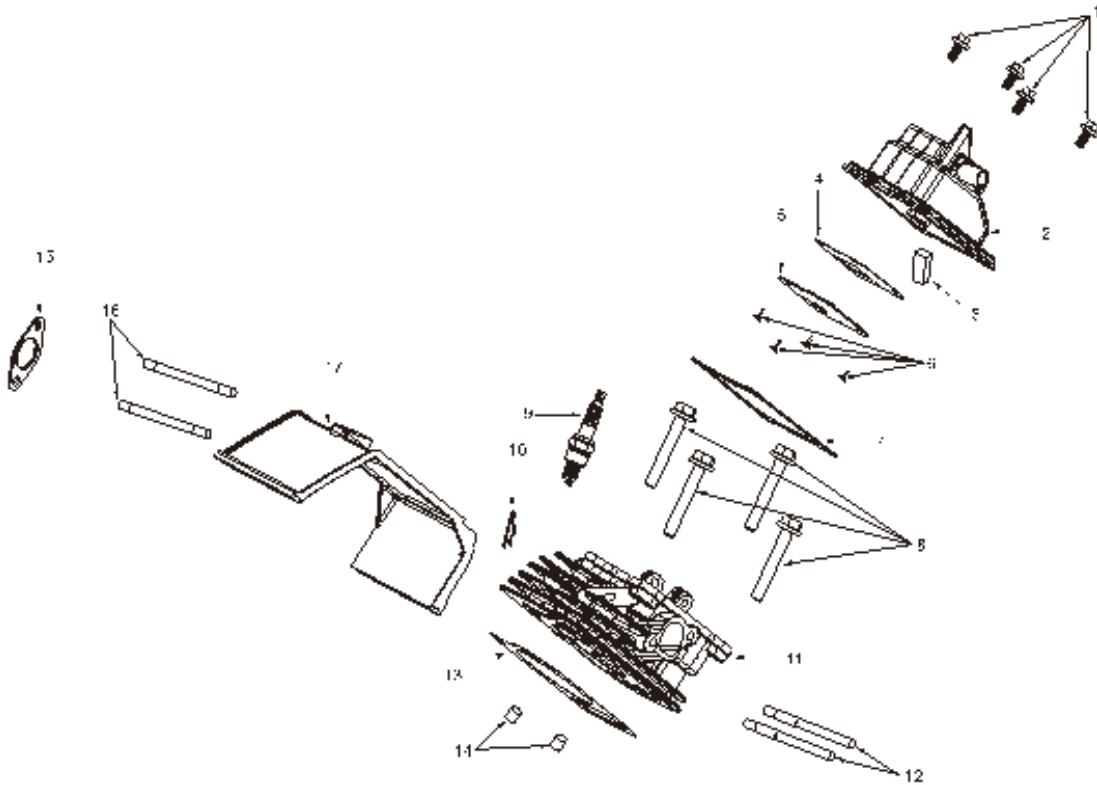
MX3500ISE

CRANKCASE



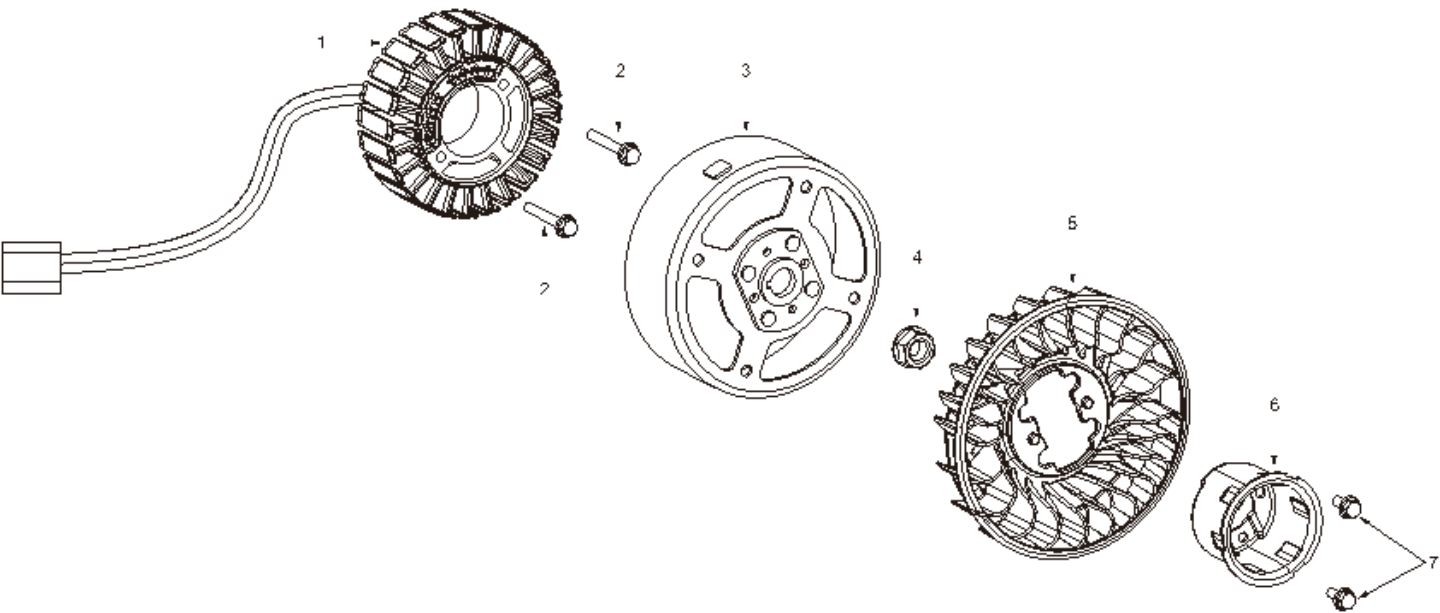
NO.	DESCRIPTION	MAXWATT PART NUMBER
1	Crank case	
2	Dipstick assembly	
3	Locating pin 8×12	
4	Crankcase gasket	
5	Bearing	
6	Crankcase cover	
7	Lower wind deflector	
8	Crimping board	
9	Bolt M6×12	
10	Oil seal 25×41.25×6	
11	Bolt M6×25	

CYLINDER HEAD ASSEMBLY



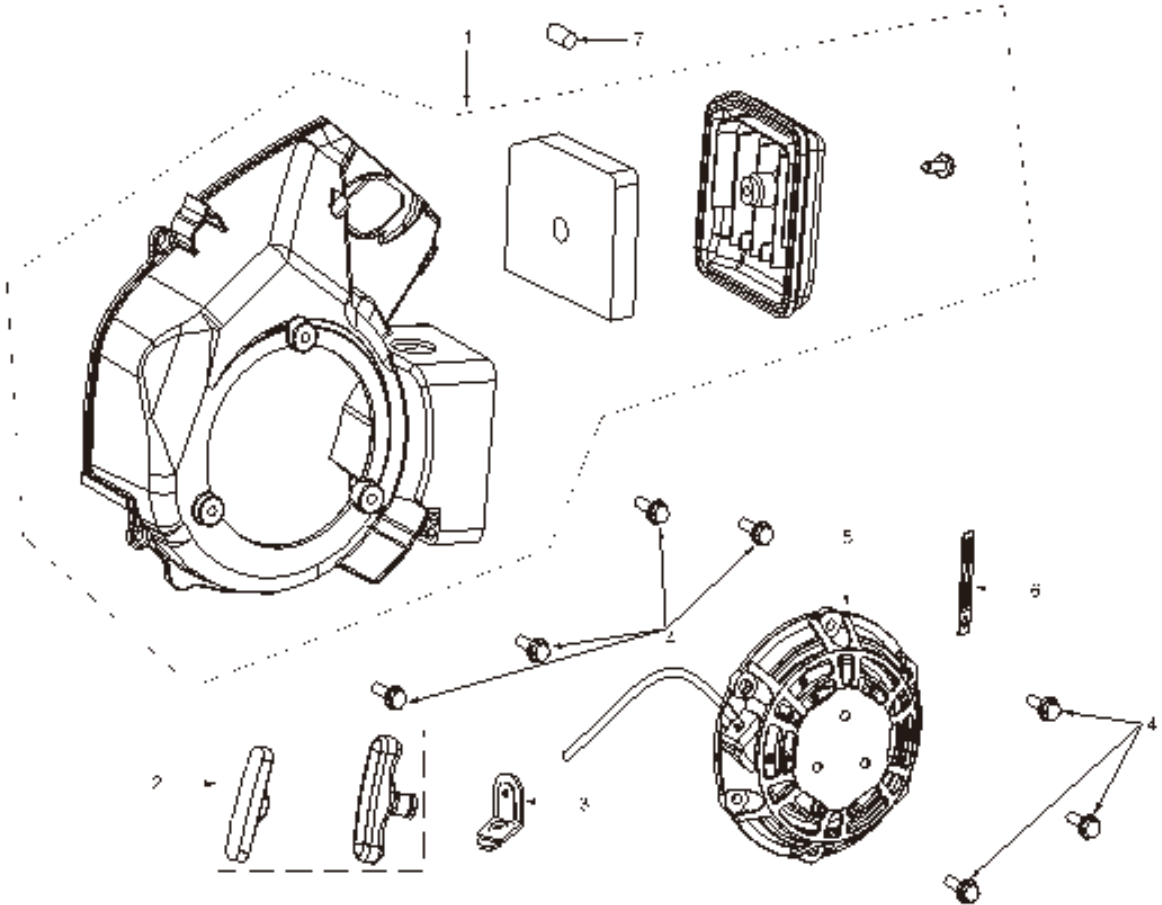
NO.	DESCRIPTION	MAXWATT PART NUMBER
1	Bolt M6x18	
2	Cover subassembly,Cylinder head	
3	Oil screen 45x25x12.5	
4	Sealing gasket of breathing tank	SP3500ISE-001
5	Breathing valve cover plate	
6	Cross head screw 4x8	
7	Cylinder head cover gasket	SP3500ISE-002
8	Bolt M8x60	
9	Spark plug	SP3500ISE-003
10	Locking clamp of speed regulating swing rod	
11	Cylinder head	
12	Stud bolt	
13	Gasket,Cylinder head	
14	Pin 10x14	
15	Exhaust port gasket	
16	Limit plate gasket M6x78	
17	Wind deflector	

MOTOR ASSEMBLY



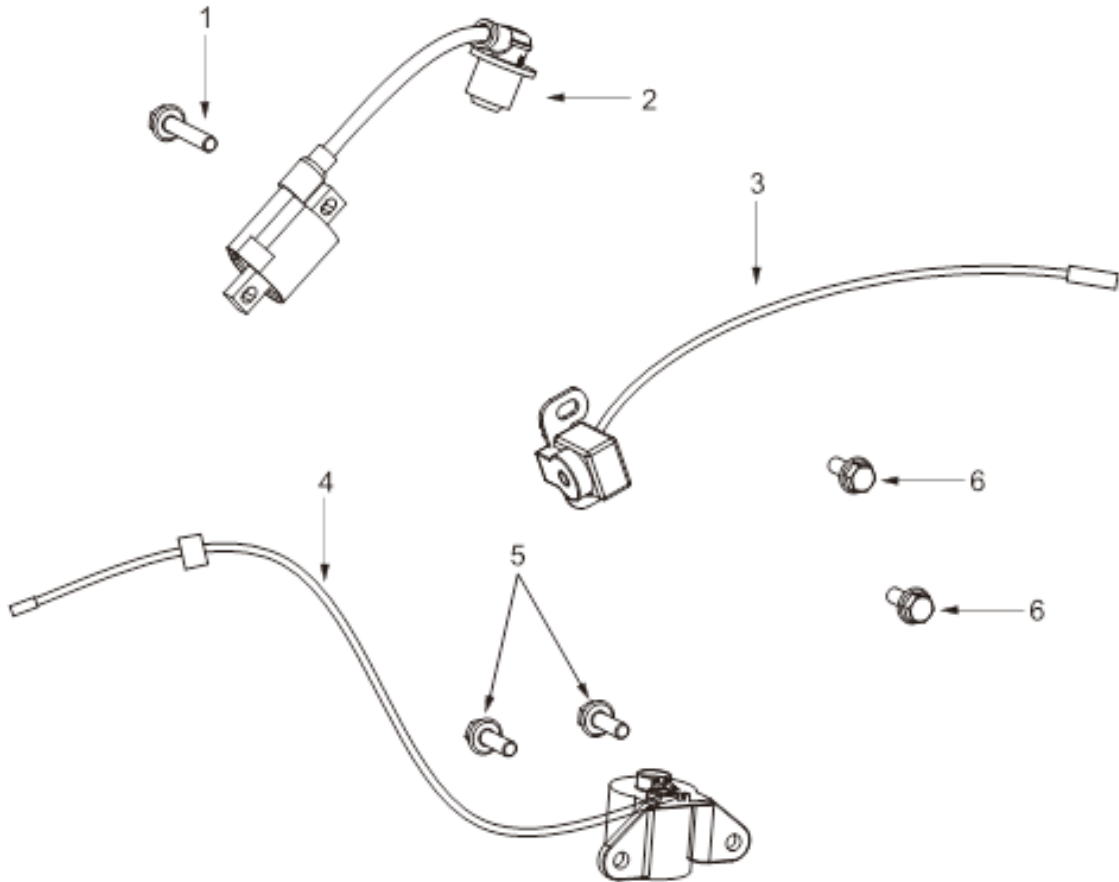
NO.	DESCRIPTION	MAXWATT PART NUMBER
1	Motor stator	
2	Bolt M6×35	
3	Motor rotor	
4	Nut with disc M14×1.5	
5	Impeller	
6	Starting sleeve	
7	Bolt M6×12	

STARTER



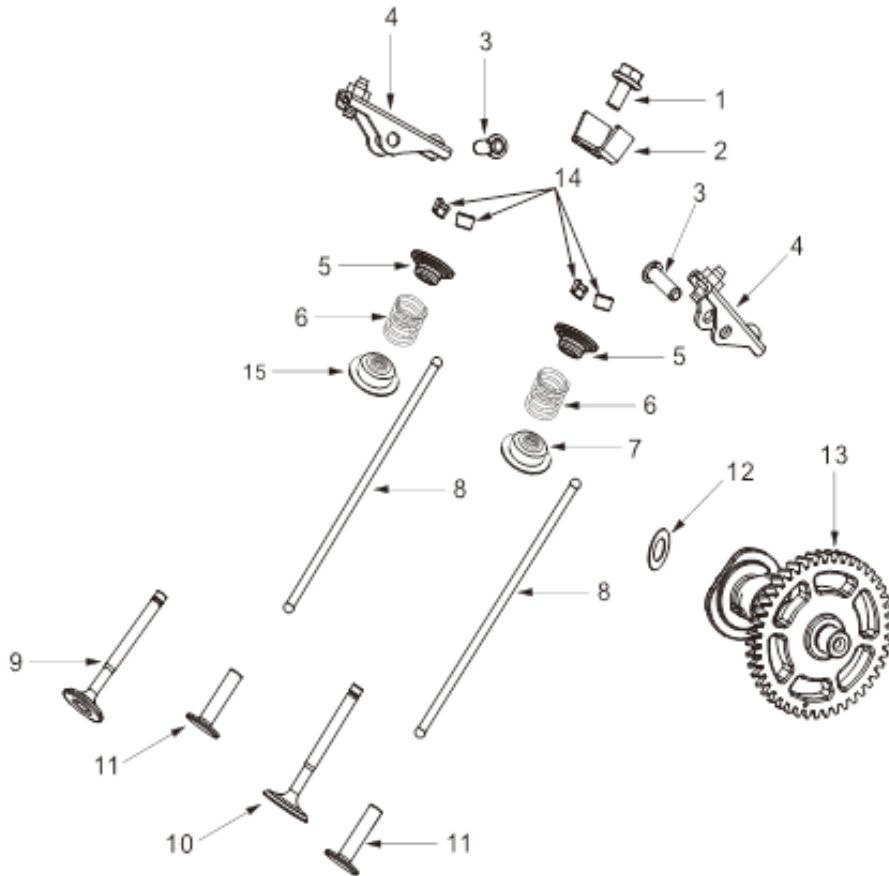
NO.	DESCRIPTION	MAXWATT PART NUMBER
1	Air filter assembly	SP3500ISE-004
2	Starting handle	SP3500ISE-005
3	Handle cover plate	
4	Bolt M6×18	
5	Pulling plate	SP3500ISE-005
6	Crimping board	
7	Air filter plug	

IGNITION COIL



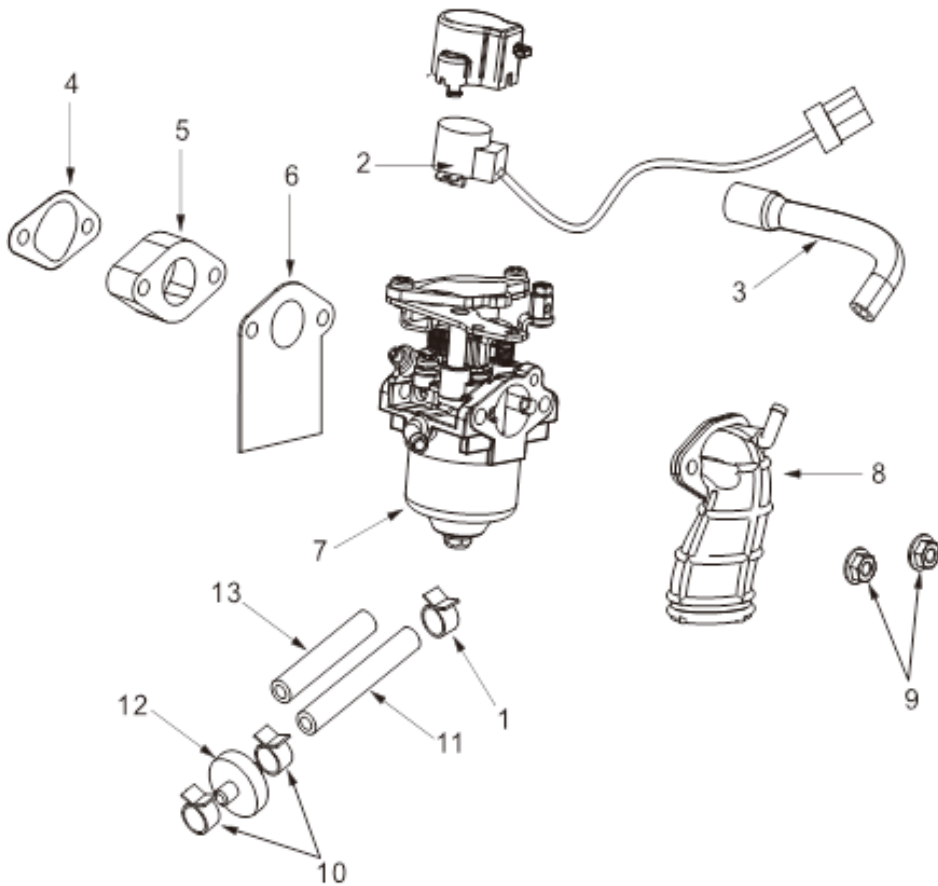
NO.	DESCRIPTION	MAXWATT PART NUMBER
1	Bolt M5x16	
2	Ignition coil	SP3500ISE-006
3	Trigger coil assembly	SP3500ISE-007
4	Oil alarm	
5	Bolt M6x14	
6	Bolt M6x12	

CAMSHAFT



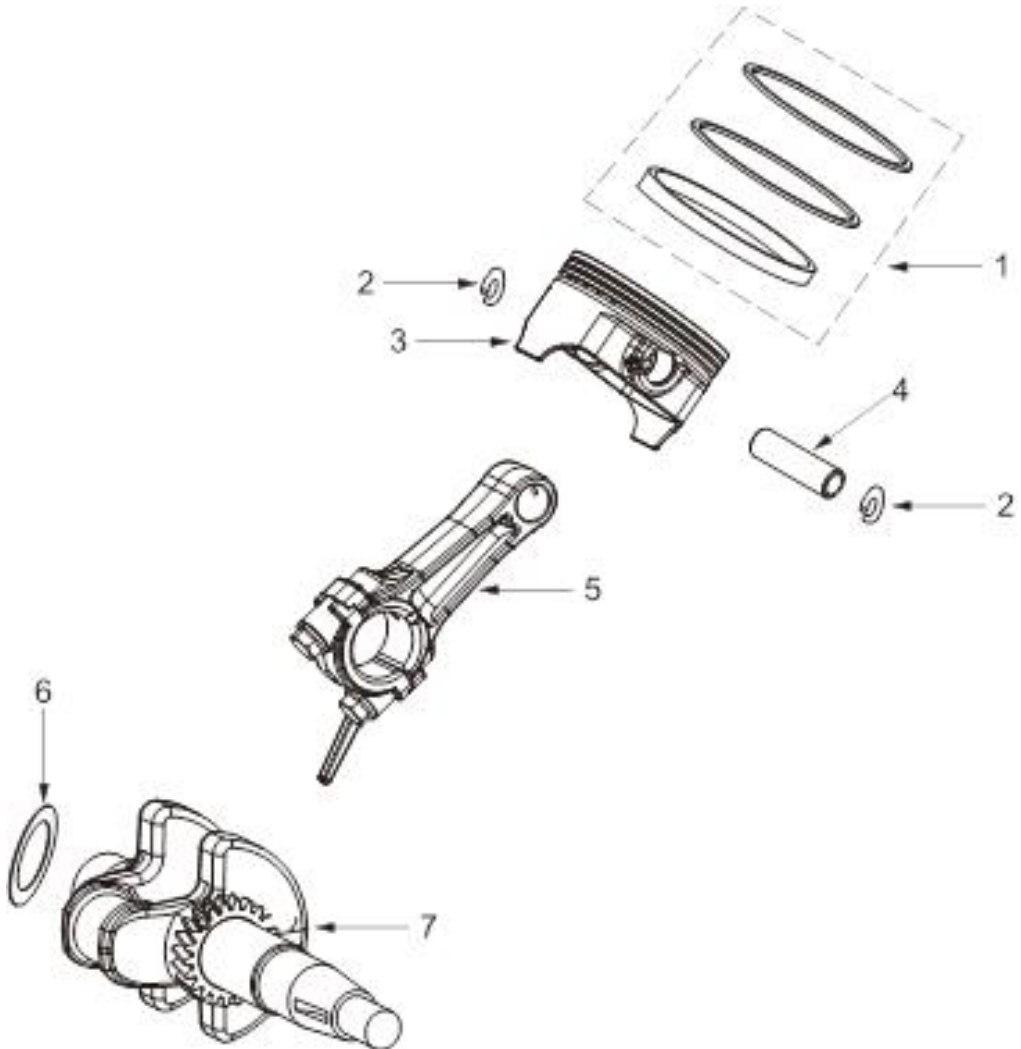
NO.	DESCRIPTION	MAXWATT PART NUMBER
1	Bolt M6×10	SP3500ISE-008
2	Rocker shaft stop	
3	Rocker pin	
4	Rocker arm assembly	
5	Intake and exhaust valve spring seat	
6	Valve spring	
7	Oil baffle	
8	Putter	
9	Exhaust valve	
10	Intake valve	
11	Tappet	
12	Wear resistant gasket $\Phi 18 \times \Phi 10.2 \times 0.5$	
13	Camshaft components	
14	Valve clamp lock	SP3500ISE-008
15	Oil baffle(exhaust valve)	

CARBURETOR



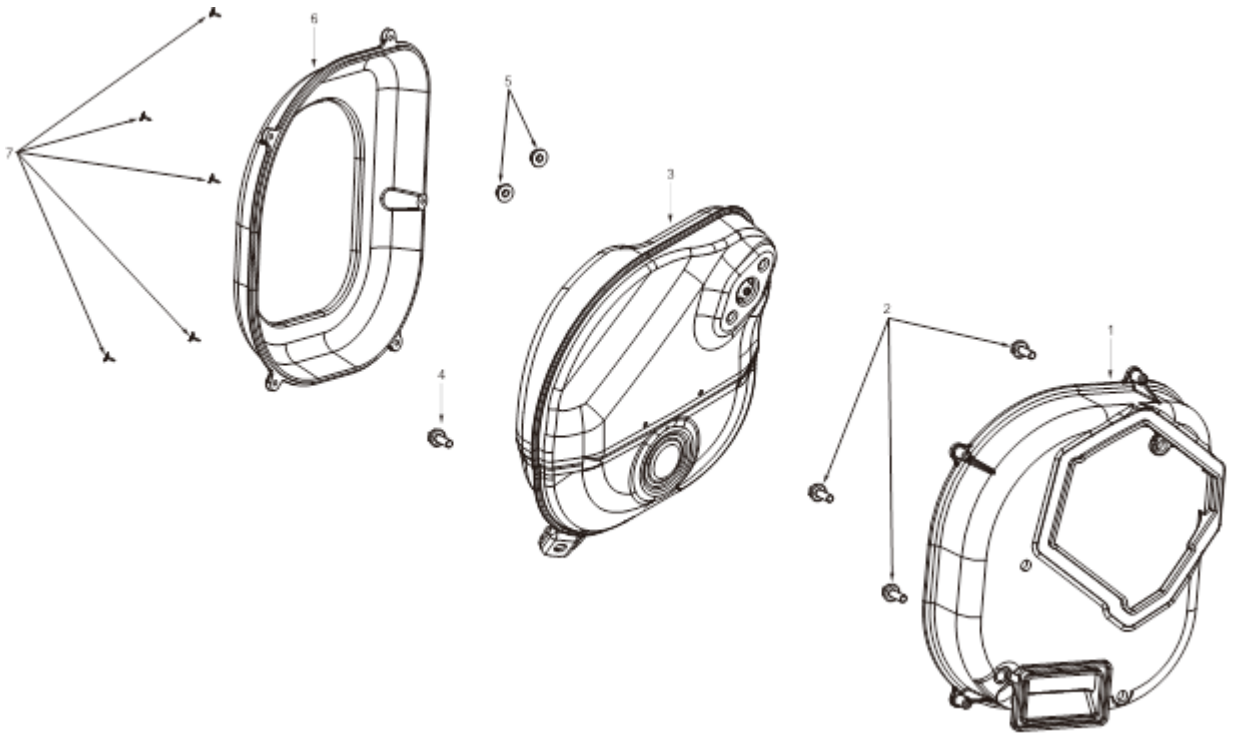
NO.	DESCRIPTION	MAXWATT PART NUMBER
1	Ribbon tubing clamp $\Phi 9.5$	
2	Stepper motor	SP3500ISE-009
3	Exhaust pipe	
4	Air inlet gasket	SP3500ISE-009
5	Carburetor block	
6	Carburetor gasket	
7	Carburetor	
8	Intake elbow	
9	Locking nut with disc	
10	Ribbon tubing clamp $\Phi 10$	
11	Tubing 6*10*120	SP3500ISE-010
12	Fuel filter	SP3500ISE-011
13	Silicone protective case 10*50	SP3500ISE-010

PISTON



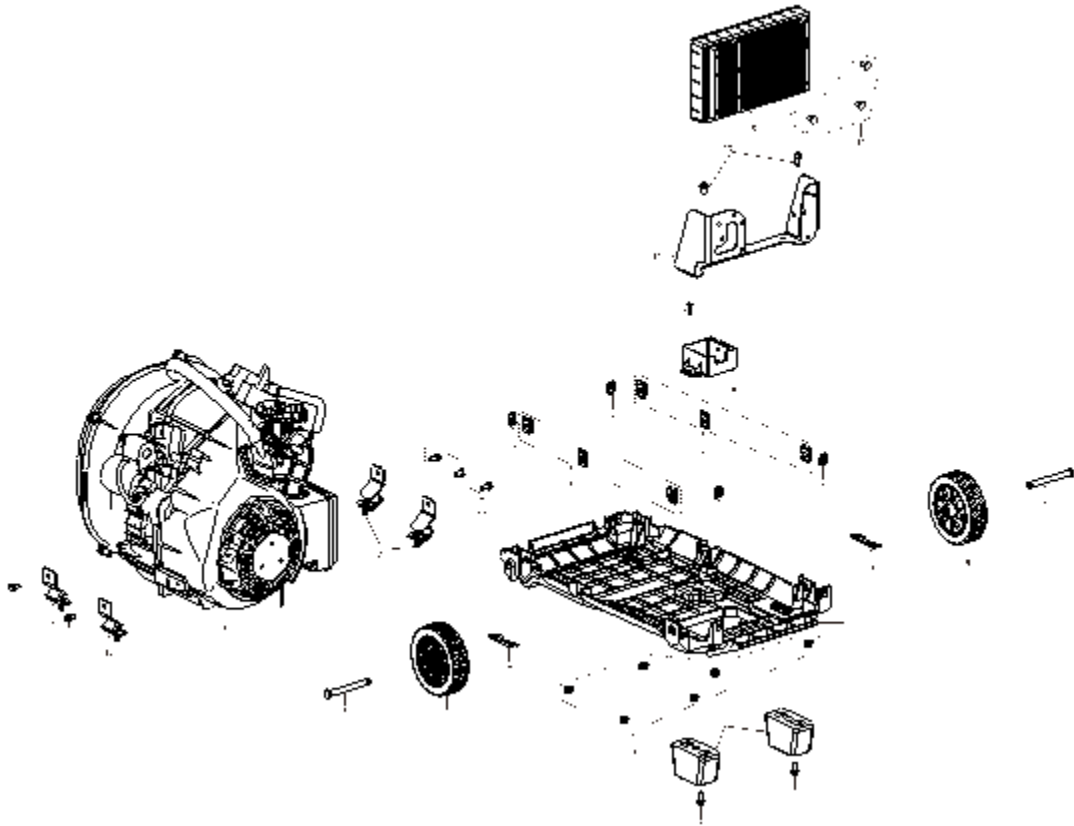
NO.	DESCRIPTION	MAXWATT PART NUMBER
1	Ring as-piston	
2	Piston pin circlip	
3	Piston	
4	piston pin	
5	Connecting rod assembly	
6	Wear resistant gasket $\Phi 36 \times \Phi 25.3 \times 0.5$	
7	Crankshaft assembly	

MUFFLER



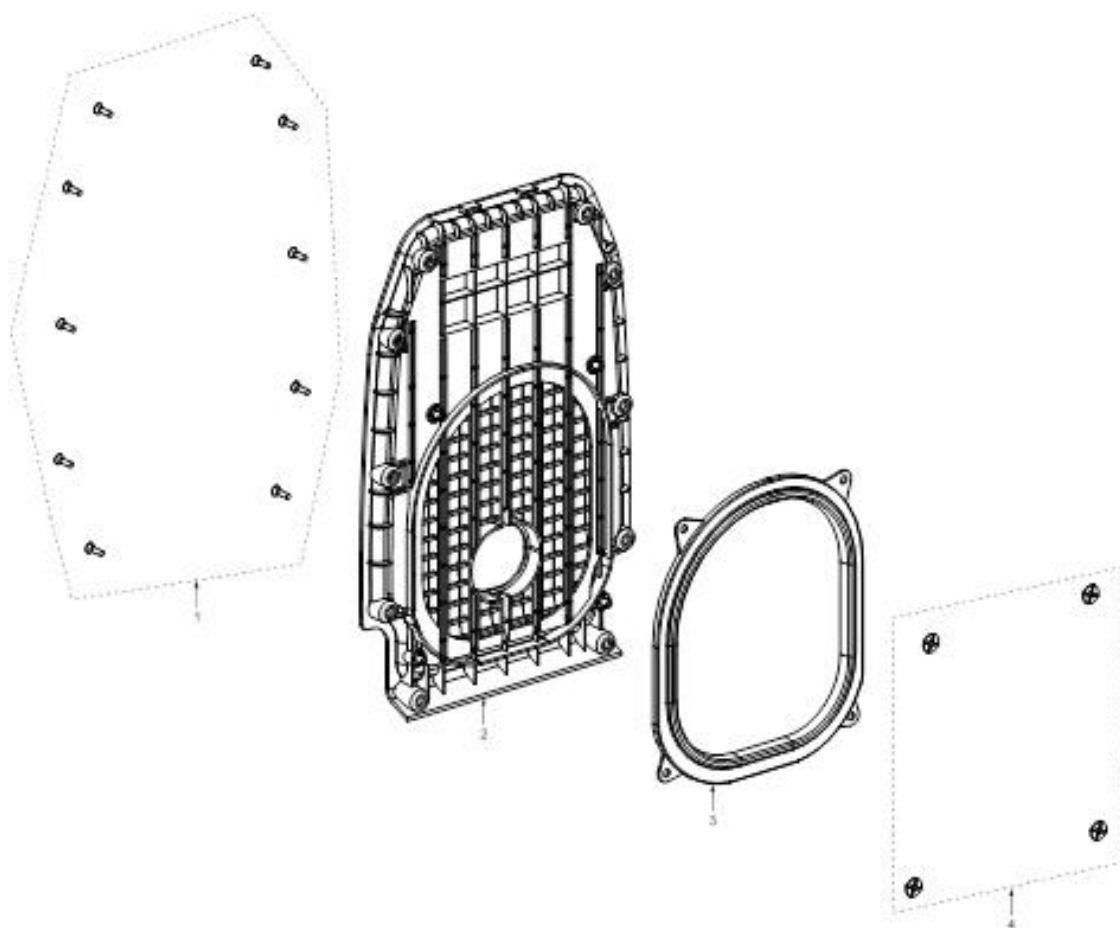
NO.	DESCRIPTION	MAXWATT PART NUMBER
1	Muffler cover (front)	
2	Bolt M6x18	
3	Muffler components	
4	Bolt M6x40	
5	Locking nut with disc M6	
6	Muffler cover (rear)	
7	Self tapping screw 4.2x16	

INVERTER



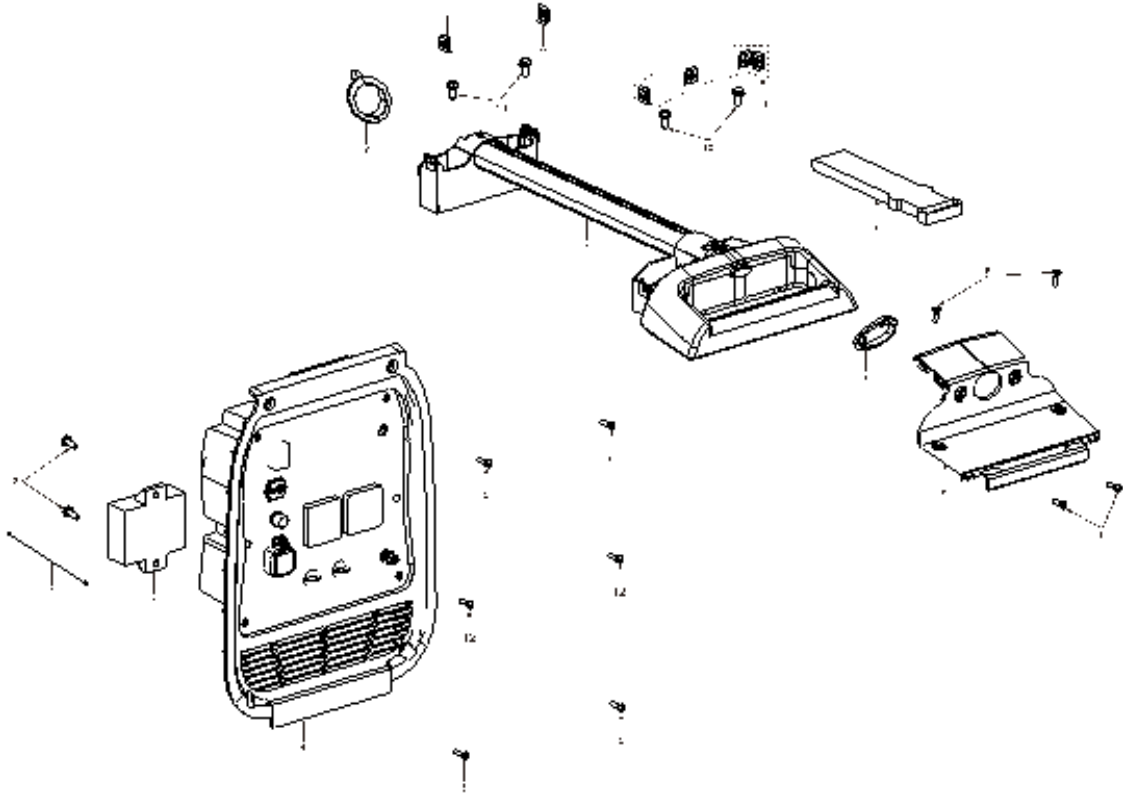
NO.	DESCRIPTION	MAXWATT PART NUMBER
1	Bolt M6×25	
2	Whole machine support seat	
3	Nut M6	
4	Bottom plate components	
5	Nut M6	
6	Nut M5	
7	Axle	
8	Front wheel	
9	Speed control swing rod locking clip	
10	Variable voltage rectifier	SP3500ISE-012
11	Bolt M5×16	
12	Inverter bracket	
13	Bolt M6×16	
14	Bolt M6×12	
15	Inverter	SP3500ISE-013
16	DK164F/P-2	
17	Bolt M6×12	
18	Shock pad	

MUFFLER SHIELD



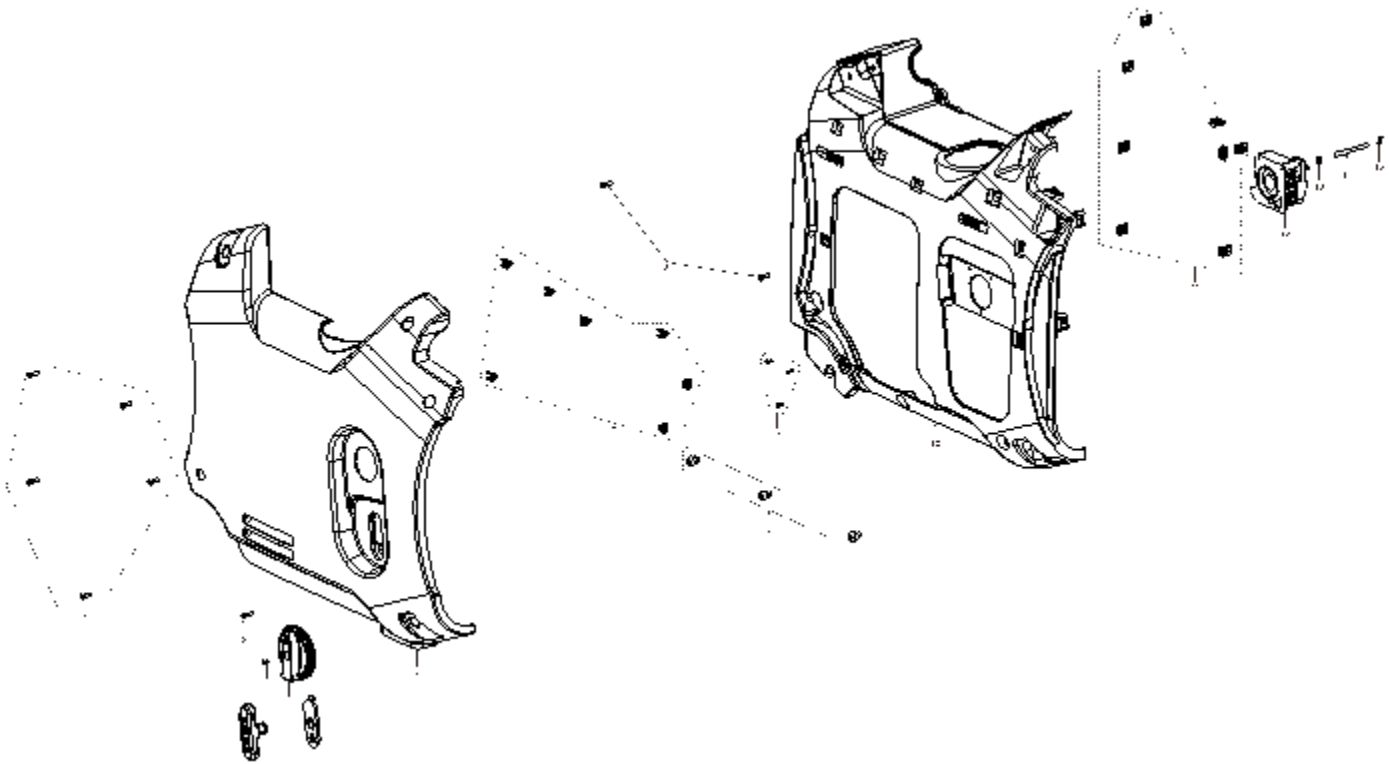
NO.	DESCRIPTION	MAXWATT PART NUMBER
1	Screw 5x16	
2	Silencer cover	
3	Silencer sealant sleeve	
4	Plum blossom hole retaining ring	

PANEL



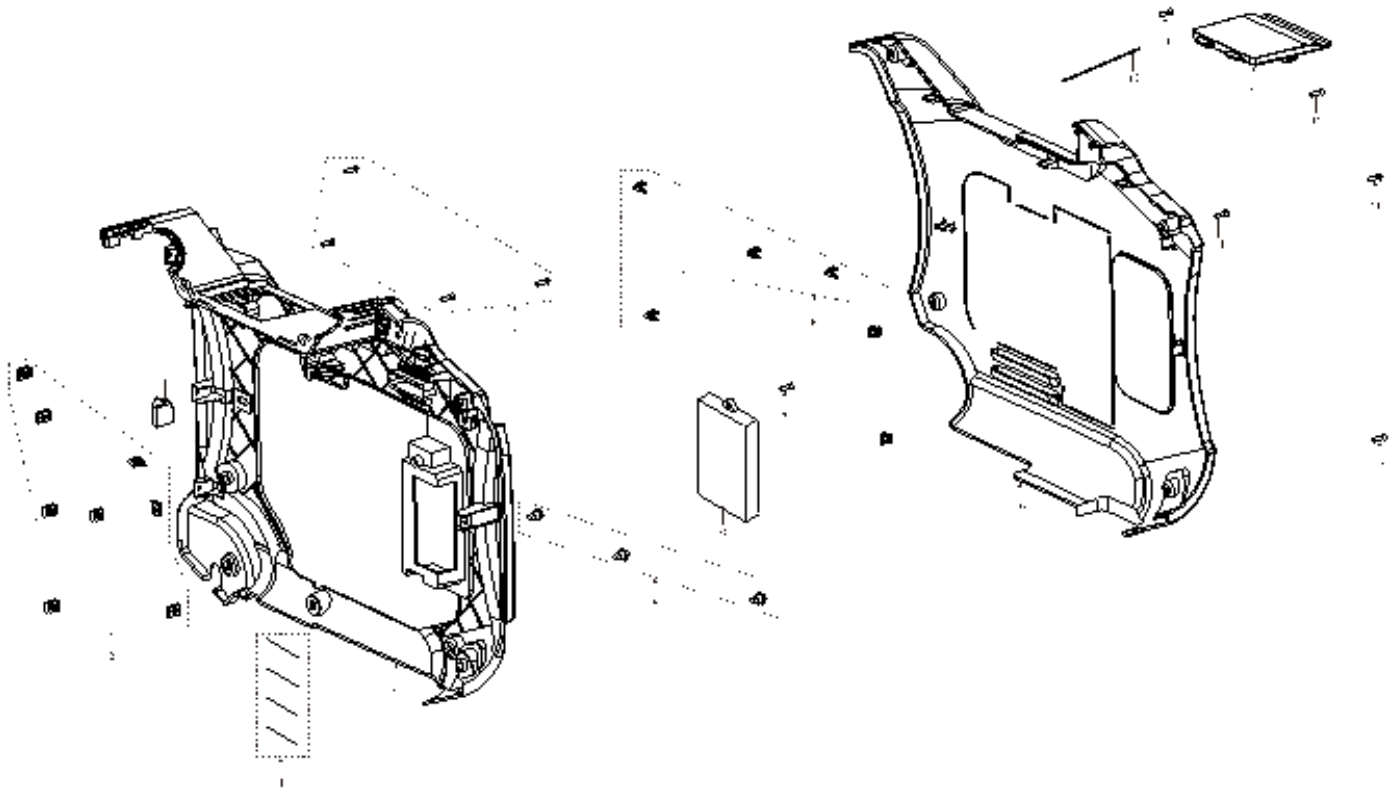
NO.	DESCRIPTION	MAXWATT PART NUMBER
1	Ground wire	
2	Bolt M5×16	
3	One click remote control module	SP3500ISE-014
4	Control Panel	SP3500ISE-015
5	Screw 5×12	
6	Panel seat cover	
7	Pull rod front and rear limit rubber sleeve	
8	Tie rod assembly	SP3500ISE-016
9	Remote control strap	
10	Screw 6×12	
11	Nut M5	
12	Screw 5×16	

LEFT EXTERIOR PANEL



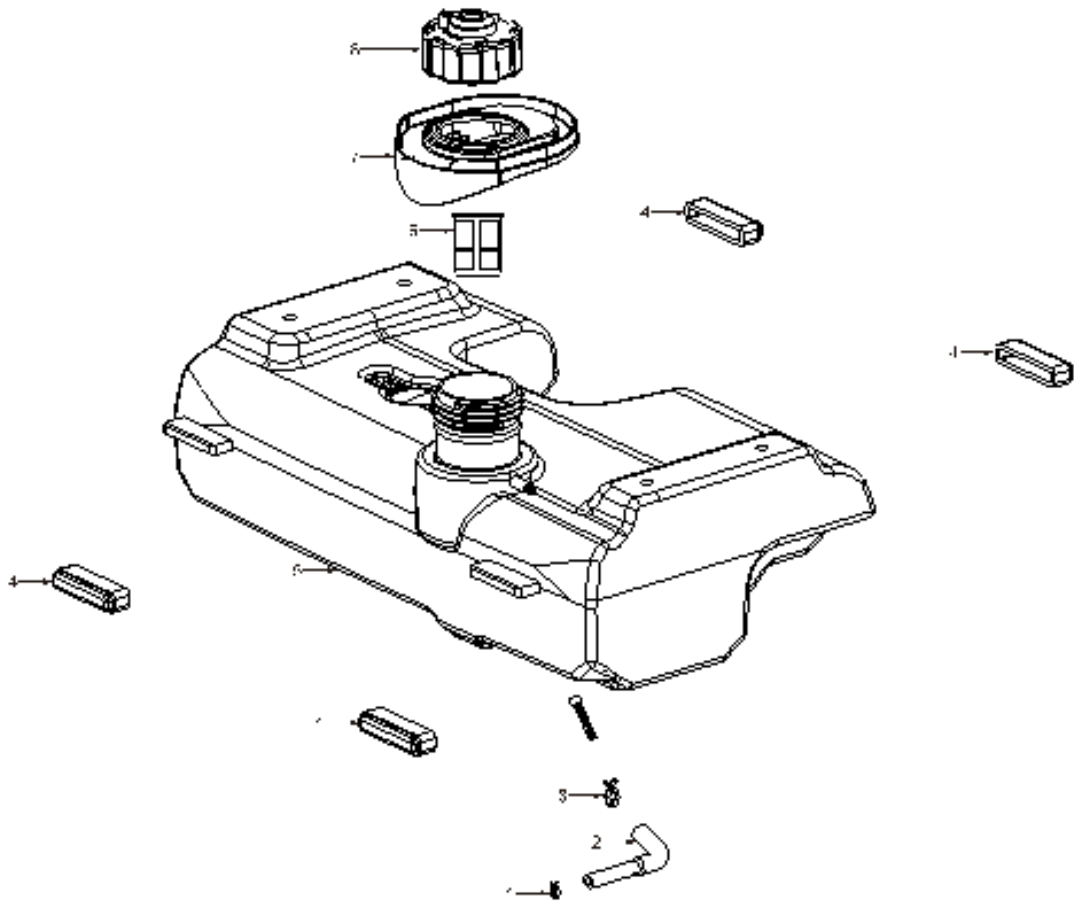
NO.	DESCRIPTION	MAXWATT PART NUMBER
1	Screw 5×10	
2	Screw 5×12	
3	Screw M4*14	
4	Three in one switch handle	SP3500ISE-017
5	Left exterior cover plate	SP3500ISE-018
6	Clip card	
7	Bolt M6×16.5	
8	Screw 5×16	
9	Screw 4.2×1	
10	Left shell	
11	Nut M5	
12	Three in one switch	SP3500ISE-019
13	Belt shaped tubing clamp Φ8	
14	Oil pipe	
15	Belt shaped tubing clamp Φ10	

RIGHT EXTERIOR PANEL



NO.	DESCRIPTION	MAXWATT PART NUMBER
1	Bottom plate components	
2	Nut M5	
3	Engine buffer pad	
4	Right shell	
5	Bolt M6×16.50	
6	lithium battery	SP3500ISE-020
7	Screw 5×16	
8	Bolt M5×16	
9	Clip	
10	Right exterior cover plate	SP3500ISE-021
11	Screw 5×10	
12	Spark plug cover plate	
13	Anti loss rubber strip	

FUEL TANK



NO.	DESCRIPTION	MAXWATT PART NUMBER
1	Belt shaped tubing clamp $\Phi 8$	
2	Forming oil pipe	
3	Belt shaped tubing clamp $\Phi 11$	
4	Fuel tank support gasket	
5	Fuel tank components	SP3500ISE-022
6	Fuel screen	SP3500ISE-023
7	Oil injection port rubber sleeve	
8	Fuel tank cap	SP3500ISE-024
	Fuel Filter	SP3500ISE-025

SPARE PARTS AND SERVICING

WHERE DO I TAKE MY PRODUCT FOR SERVICE OR REPAIR?

Please contact MaxWatt at customercare@maxwatt.com.au we can provide after-sales support for your generator.

Should you experience any problems with your generator, it is recommended that you consult the troubleshooting guide in the Instruction Manual first before contacting us. The most common issues can be resolved quickly in this manner without the inconvenience of having to take your generator to a service agent.

ARE SPARE PARTS AVAILABLE FOR PURCHASE?

Yes, we carry a full range of spare parts for all products. Please check our catalogue for a full list of spare parts and contact us if you need to order anything.

Distributed by:



Shop 15/1440 New Cleveland Rd, Chandler QLD 4155

(07) 3732 5363

customercare@maxwatt.com.au