

MAXWATT®

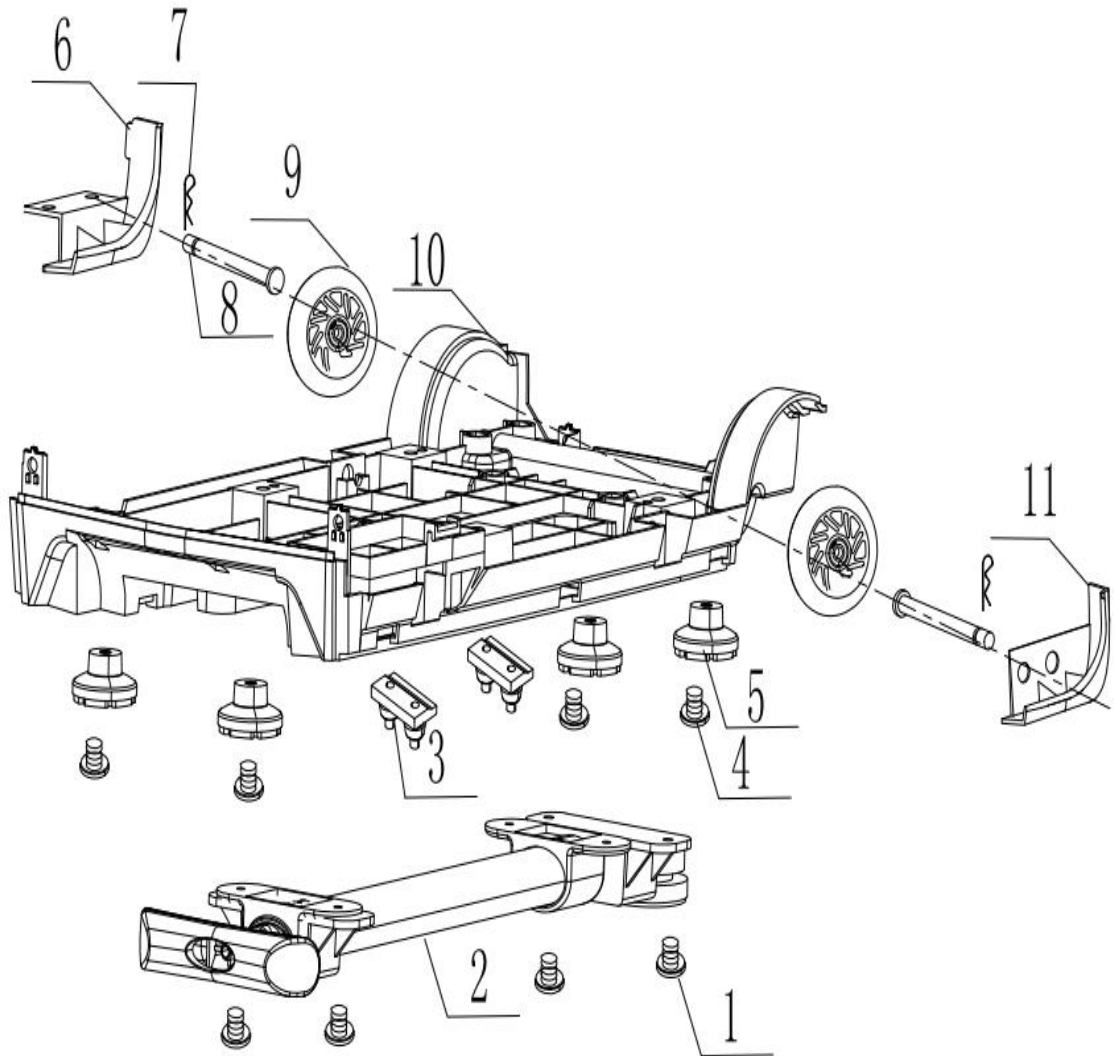
POWER WHEN YOU NEED IT

SPARE PARTS CATALOGUE



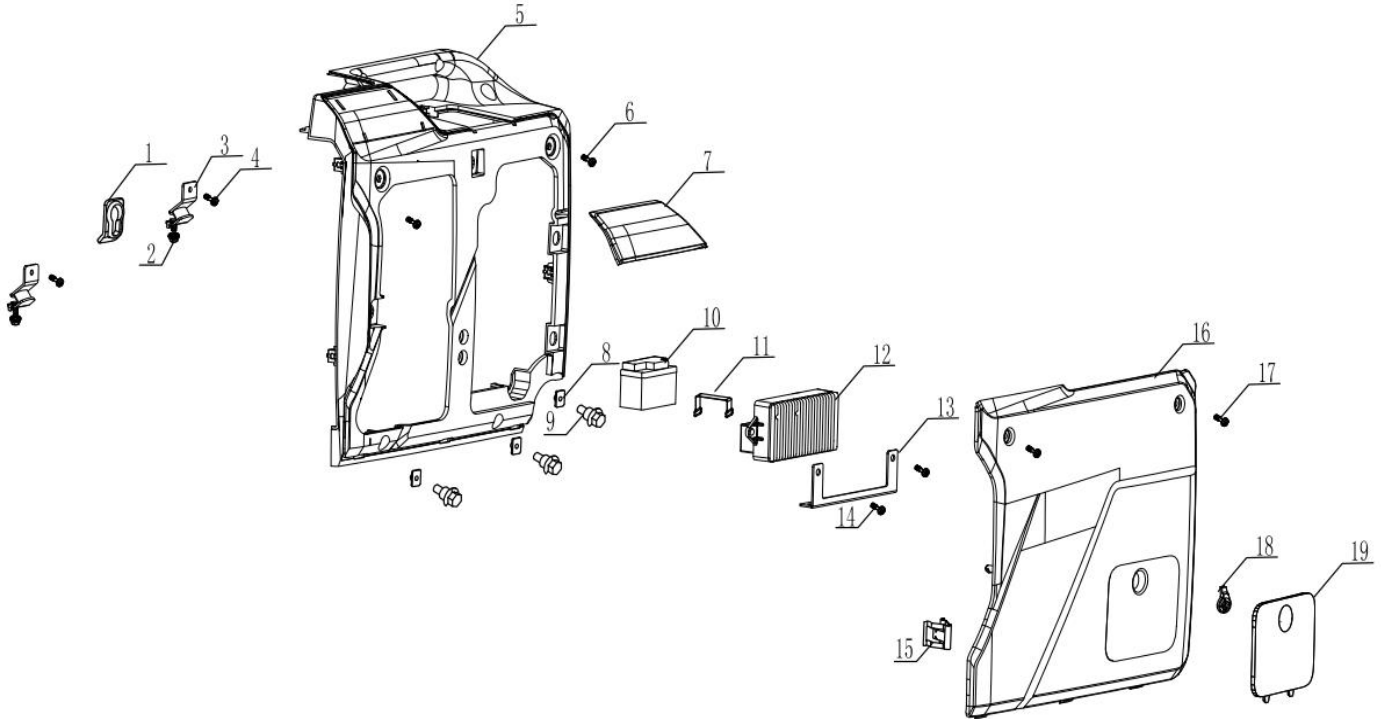
MX2800ISE

BOTTOM PLATE



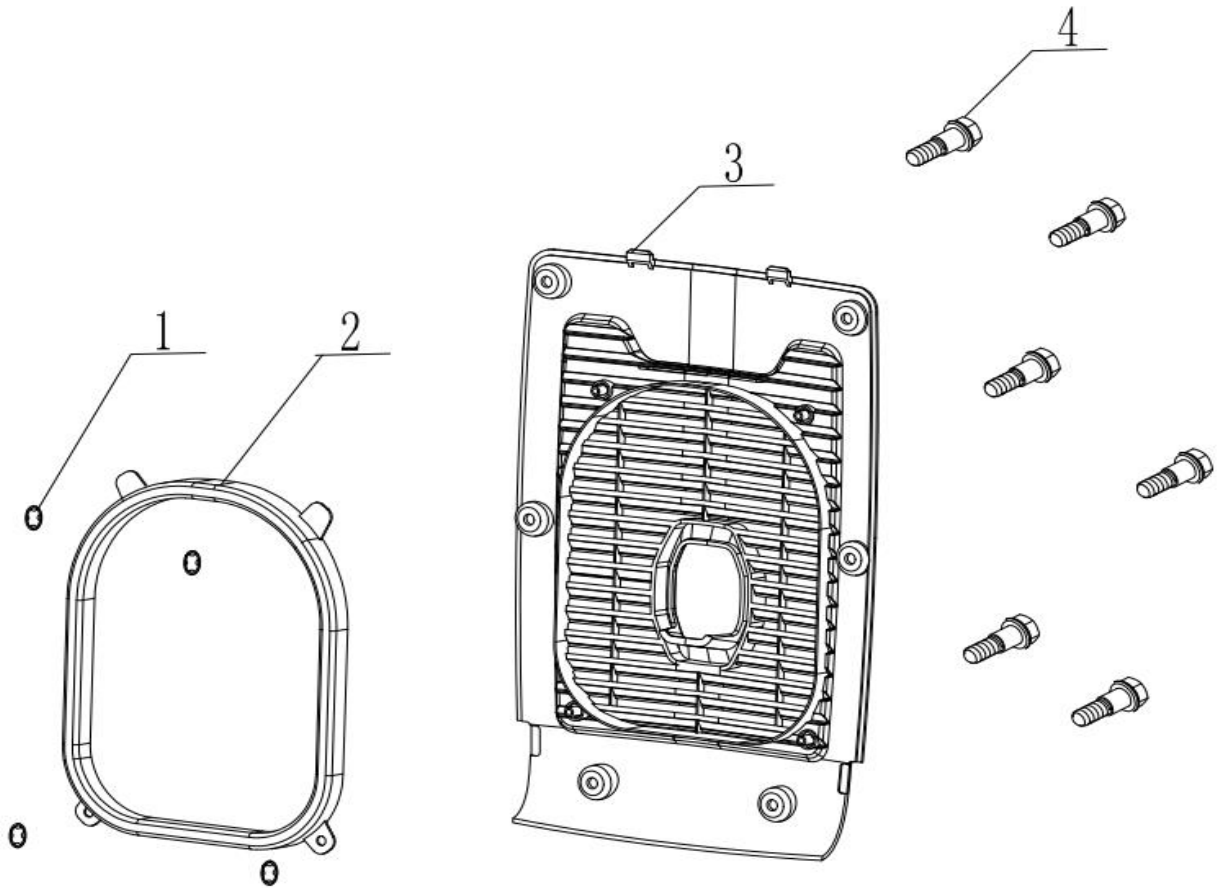
NO.	DESCRIPTION	MAXWATT PART NUMBER
1	BOLT M6*16	
2	Pull Rod Assembly	SP2800-001
3	Foot Pad	
4	BOLT M6*25	
5	Rubber Foot	
6	Left Sealing Plate	
7	Locking Pin	
8	Wheel Pin	SP2800-002
9	Wheels	
10	Base Plate	
11	Right Sealing Plate	

RIGHT HOUSING COVER PLATE



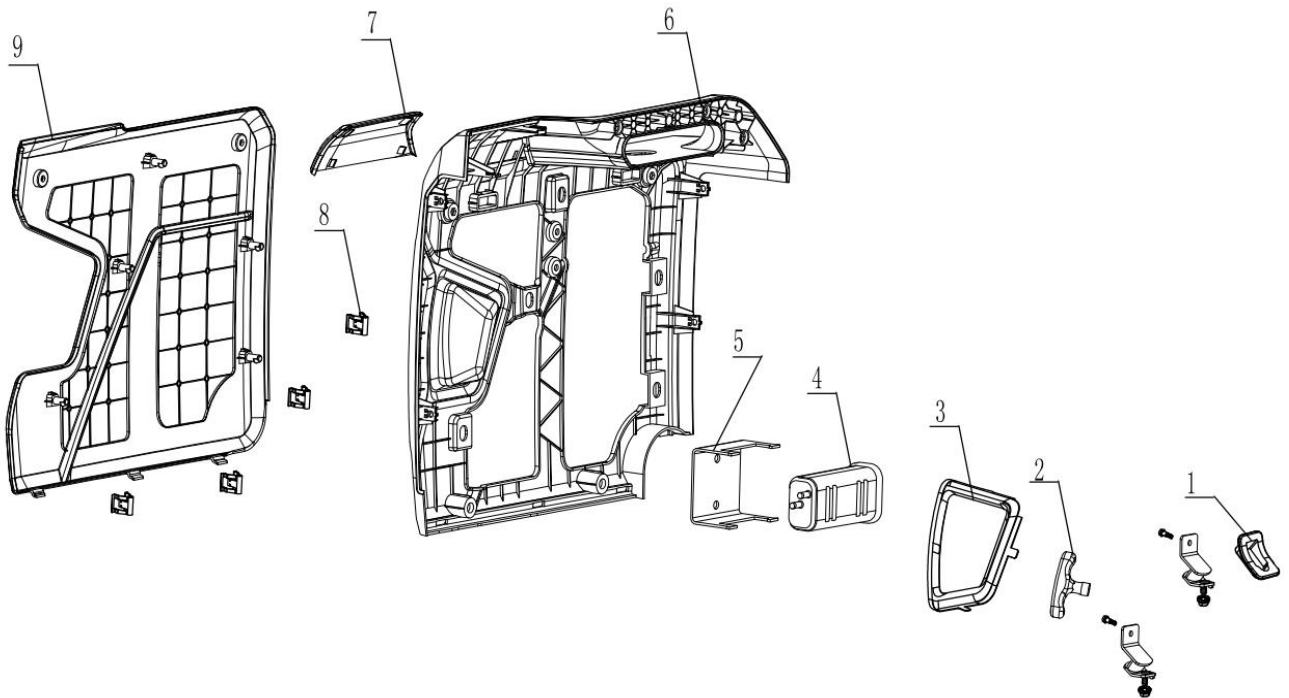
NO.	DESCRIPTION	MAXWATT PART NUMBER
1	Oil Filling Rubber Sleeve	
2	Nut M6	
3	Rubber Foot	
4	BOLT M6*8	
5	Right Housing	
6	Cross Recessed Pan Head Screw M5*14	
7	Right Decorative Plate	SP2800-003
8	Long Nut	
9	BOLT M6*20	
10	Lithium Battery	SP2800-004
11	Battery Strap	
12	Module (relay)	SP2800-004
13	ModuleBoard (Relay Board)	
14	Bolt M6*12	
15	Spring Clamp	
16	Right Cover Plate	SP2800-005
17	Cross Recessed Pan Head Screw M5*14	
18	Knob	
19	Oil Cover Plate	SP2800-006

TAIL GAS SYSTEM



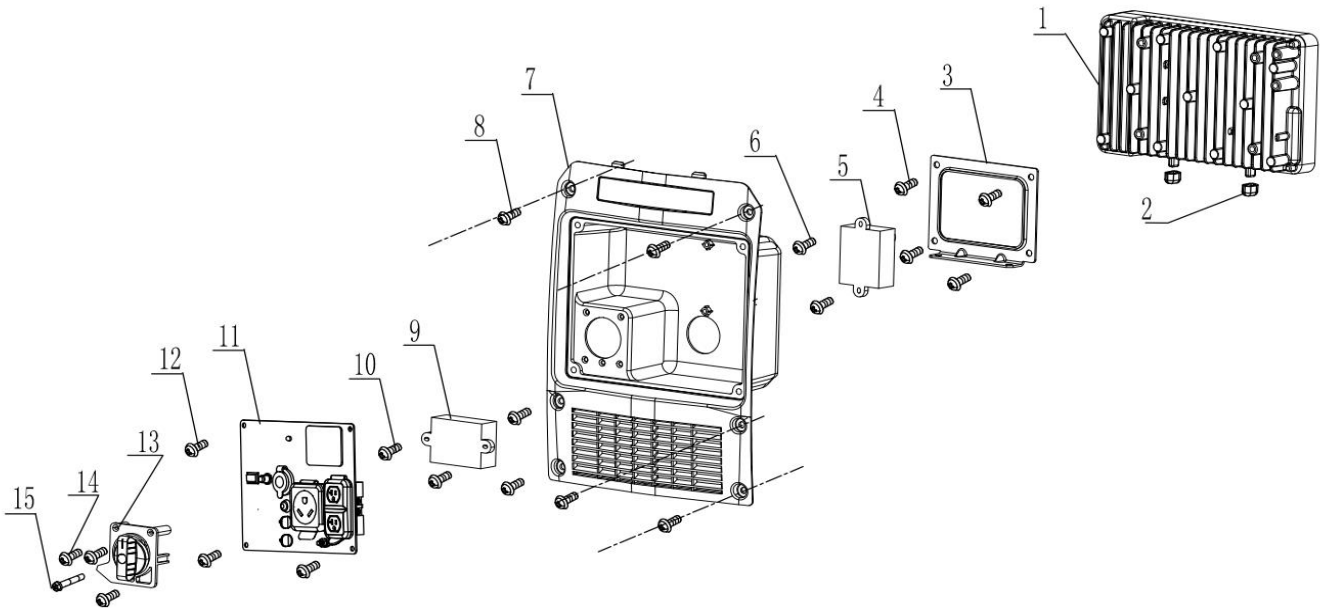
NO.	DESCRIPTION	MAXWATT PART NUMBER
1	Anti-off Clip	
2	Muffler Outlet Rubber Sleeve	
3	Muffler Outlet Cover Plate	
4	Cross Recessed Pan Head Screw M5*14	

LEFT HOUSING COVER PLATE



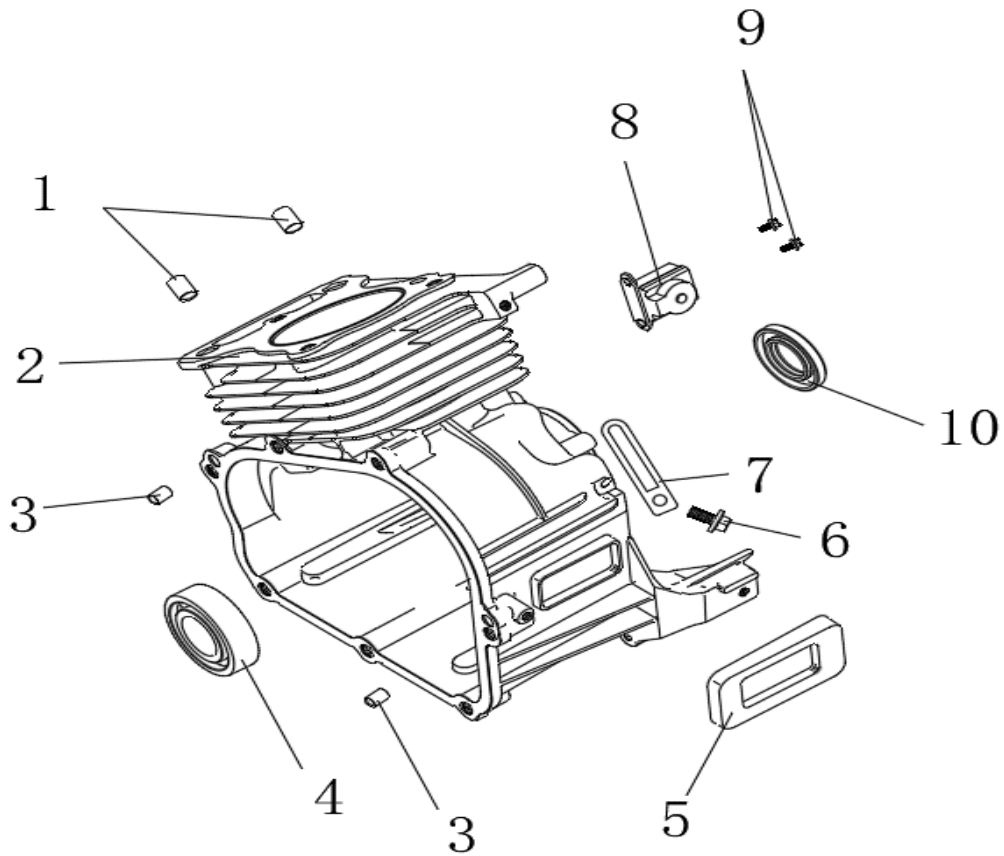
NO.	DESCRIPTION	MAXWATT PART NUMBER
1	Rubber plug	
2	Starter handle	
3	Ornament Ring	
4	Carbon Tank	
5	Carbon Tank board	
6	Left housing	SP2800-012
7	Left Decorative Plate	
8	Spring clamp	
9	Left cover plate	SP2800-013

ELECTRICAL SYSTEM



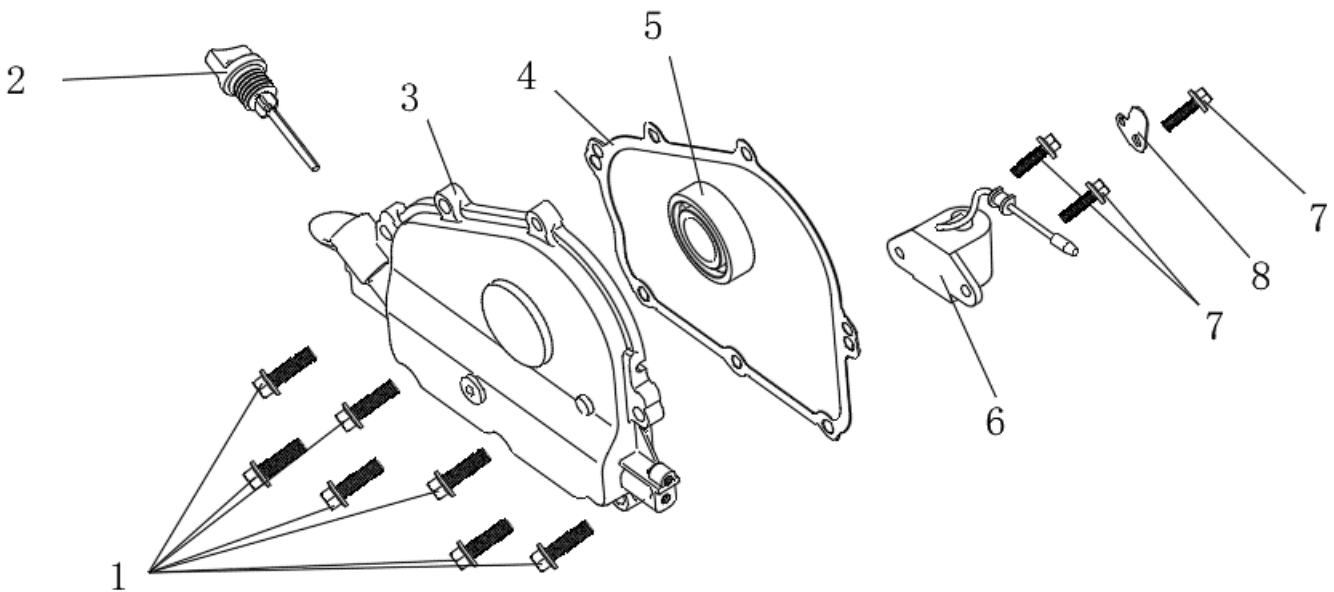
NO.	DESCRIPTION	MAXWATT PART NUMBER
1	Inverter	SP-2800-014
2	Inverter fixed rubber sleeve	
3	Inverter mounting plate	
4	BOLT M6*8	
5	CO Module	
6	Self-tapping Screw 3.9x16	
7	Panel Cover	
8	Cross Recessed Pan Head Screw M5*14	
9	Remote control Module	
10	Self-tapping Screw 3.9x16	
11	Panel Assembly	
12	Cross Recessed Pan Head Screw M5*14	
13	Three-in-one Switch	
14	Self-tapping Screw 3.9x16	
15	Cross Recessed Pan Head Screw M4*16	

CRANKCASE



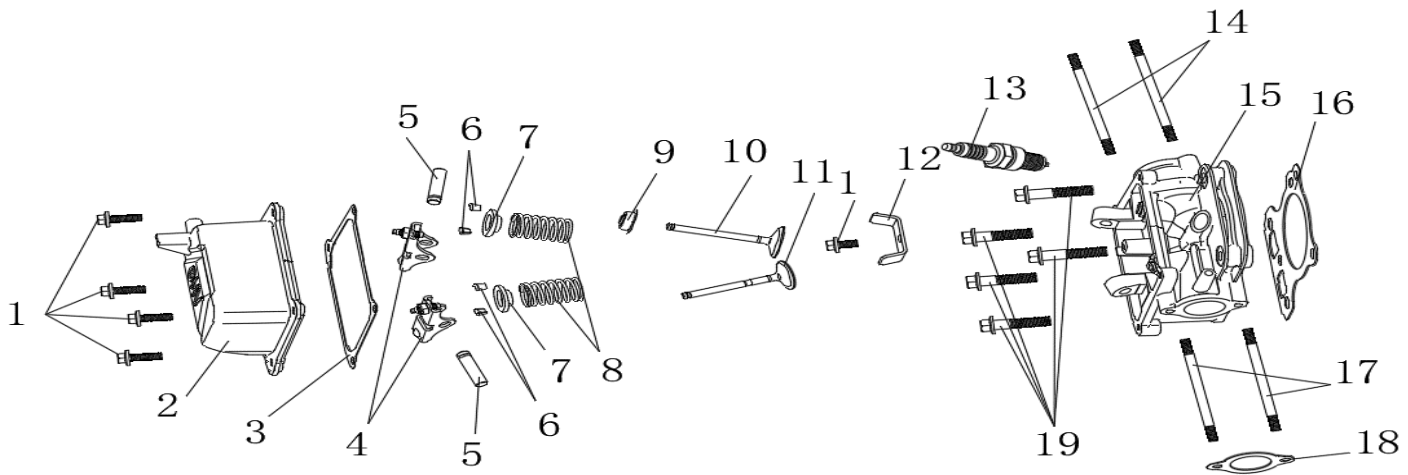
NO.	DESCRIPTION	MAXWATT PART NUMBER
1	Locating Pin/10*12	
2	Crank Case	
3	Locating Pin/8*12	
4	Bearing /6205/TM	
5	Heat Insulation Cotton	
6	Bolt M6*12	
7	Locating Cable Clamp	
8	Trigger	
9	Cross Recess Head Screw M4*12	
10	Oil Seal 25*41.25*6	SP2800-015

CRANKCASE COVER



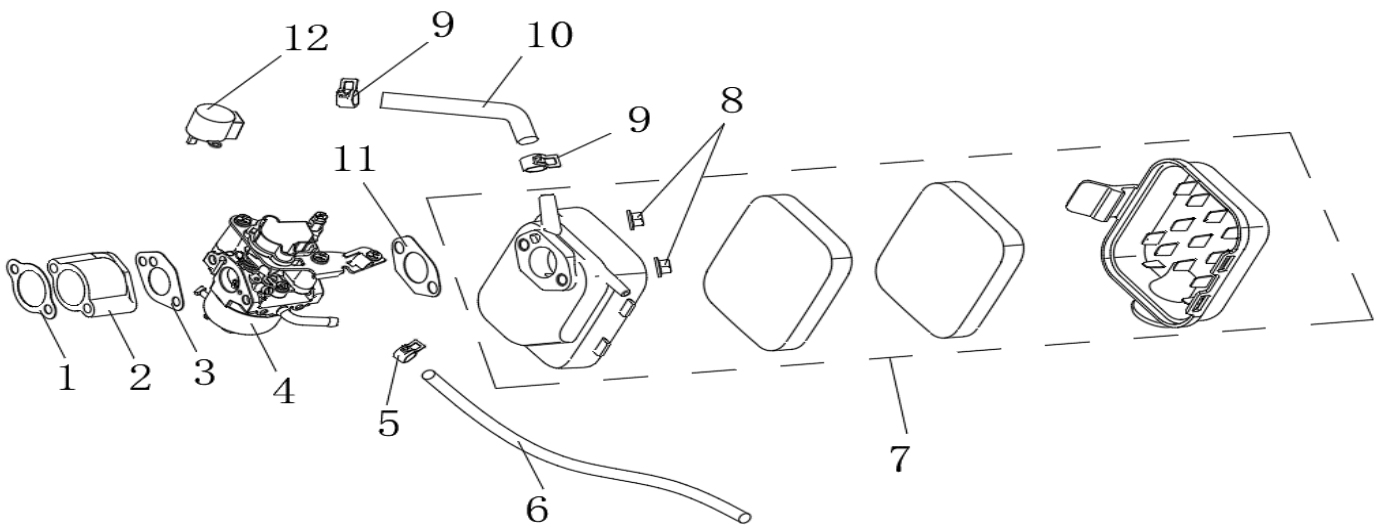
NO.	DESCRIPTION	MAXWATT PART NUMBER
1	Bolt M6*25	
2	Dipstick	SP2800-016
3	Crank case Cover	
4	Crank Case Gasket	SP2800-017
5	Bearing /6205/TM	
6	Oil Level Sensor	
7	Bolt M6*12	
8	Wire Clip	

CYLINDER HEAD ASSEMBLY



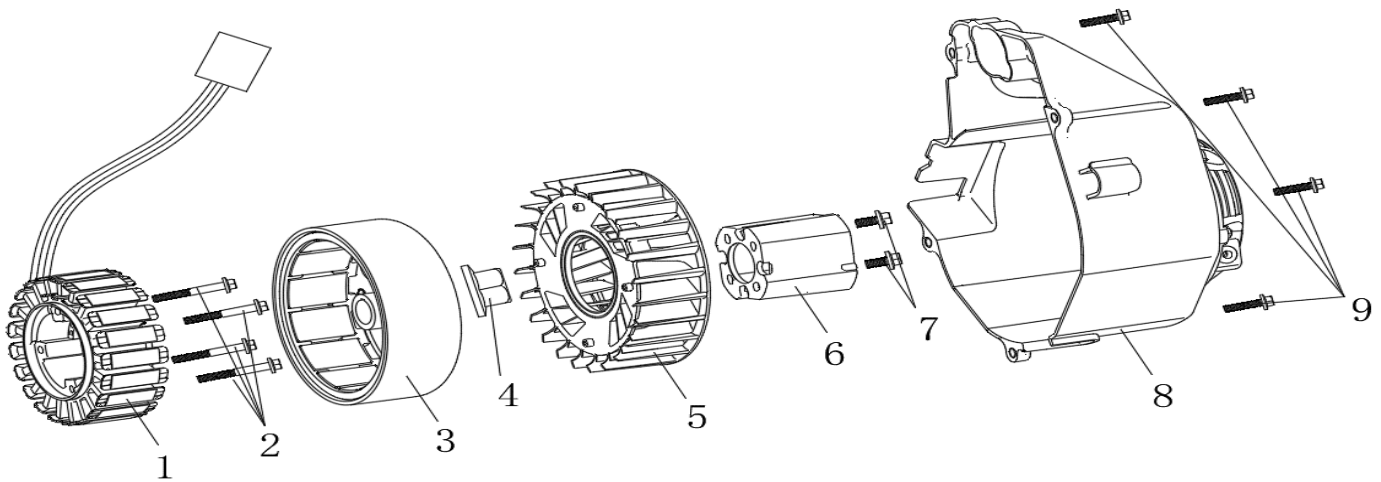
NO.	DESCRIPTION	MAXWATT PART NUMBER
1	BOLT M6*12	
2	Cylinder Head Cover	
3	Cylinder Head Cover Gasket	
4	Valve Rocker Arm	
5	Rocker Arm Shaft	
6	Valve Lock Clamp	
7	Valve Spring Retainer	SP2800-018
8	Valve Spring	
9	Seal Guide	
10	Intake valve	
11	Exhaust Valve	
12	Push Rod Guide Plate	
13	Spark Plug	SP2800-019
14	Stud M6*90	
15	Cylinder Head	SP2800-020
16	Cylinder Sealing Gasket	SP2800-021
17	Stud M6*90	
18	Muffler Spacer	
19	Bolt M8*40	

CARBURETTOR AND AIR FILTER



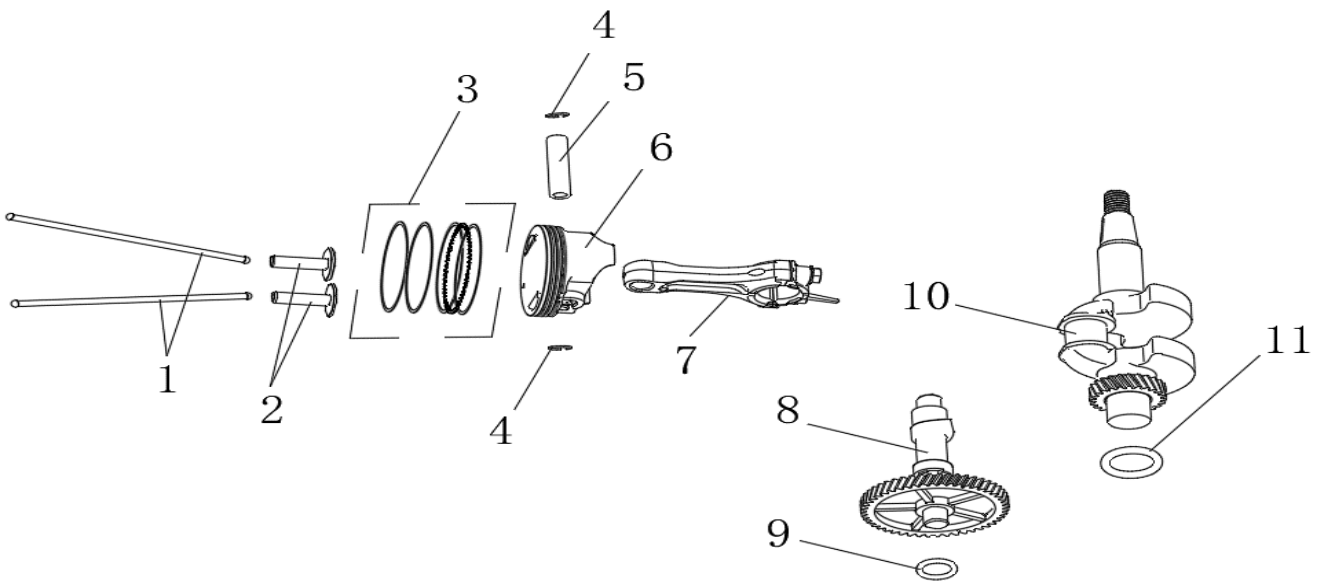
NO.	DESCRIPTION	MAXWATT PART NUMBER
1	Air Inlet Sealing Gasket	SP2800-022
2	Carburetor Link Block	
3	Carburetor Spacer	
4	Carburetor	
5	Clamp	
6	Oil Out Tube	
7	Air Filter	SP2800-023
8	Nut M6	
9	Clamp	
10	Exhaust Pipe	
11	Air Filter Sealing Gasket	SP2800-024
12	Stepping Motor	SP2800-025

ALTERNATOR ASSEMBLY



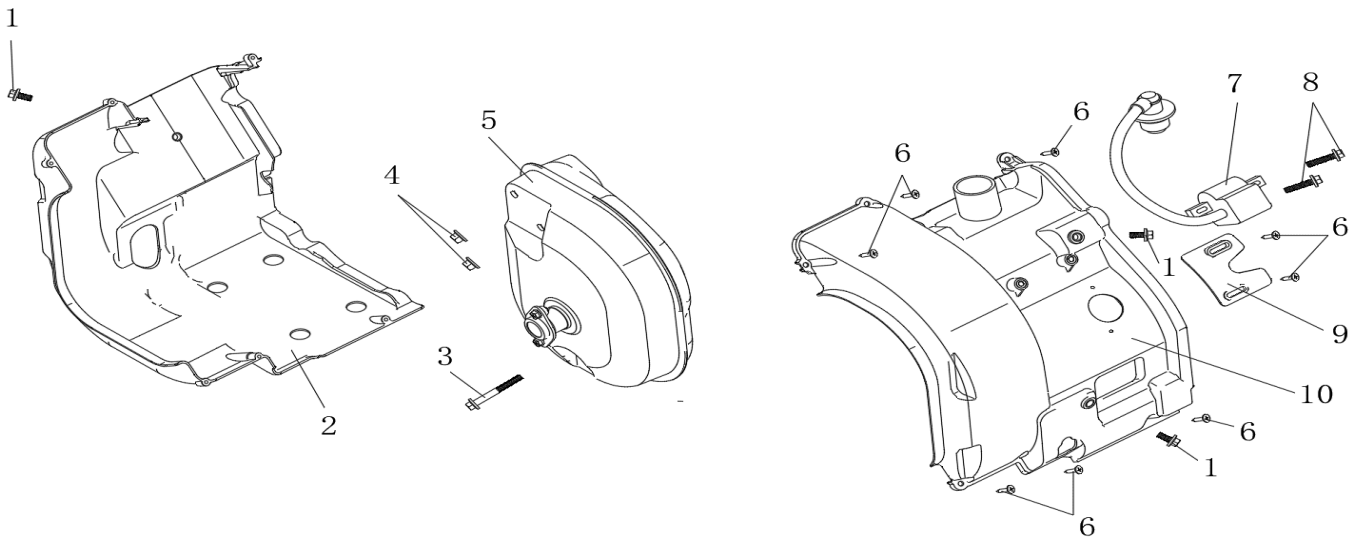
NO.	DESCRIPTION	MAXWATT PART NUMBER
1	Stator	
2	BOLT M6*45	
3	Rotor	
4	Nut M14*1.5	
5	Cooling Fan	
6	Starting Cup	
7	BOLT M8*16	
8	WINDSHIELD	
9	Starter	SP2800-026
10	BOLT M6*20	

VALVE / PISTON RING SET



NO.	DESCRIPTION	MAXWATT PART NUMBER
1	Valve Push Rod	SP2800-0027
2	Valve Tappet	
3	Piston Ring Set	
4	Clip Piston Pin	
5	Piston Pin	
6	Piston	
7	Connecting Rod Assy	
8	Camshaft Assy	
9	Valve Spring	
10	Crankshaft	
11	Manganese steel spacer	

WINDSHIELD ASSEMBLY



NO.	DESCRIPTION	MAXWATT PART NUMBER
1	BOLT M6*12	
2	WINDSHIELD-down	
3	BOLT M6*70	
4	Nut M6	
5	Muffler	
6	Screw M4.2*12	
7	Ignition	
8	BOLT M6*20	
9	RUBBER CLAMP	
10	WINDSHIELD	

SPARE PARTS AND SERVICING

WHERE DO I TAKE MY PRODUCT FOR SERVICE OR REPAIR?

Please contact MaxWatt at customercare@maxwatt.com.au we can provide after-sales support for your generator.

Should you experience any problems with your generator, it is recommended that you consult the troubleshooting guide in the Instruction Manual first before contacting us. The most common issues can be resolved quickly in this manner without the inconvenience of having to take your generator to a service agent.

ARE SPARE PARTS AVAILABLE FOR PURCHASE?

Yes, we carry a full range of spare parts for all products. Please check our catalogue for a full list of spare parts and contact us if you need to order anything.

Distributed by:



Shop 15/1440 New Cleveland Rd, Chandler QLD 4155

(07) 3732 5363

customercare@maxwatt.com.au