

SPARE PARTS CATALOGUE

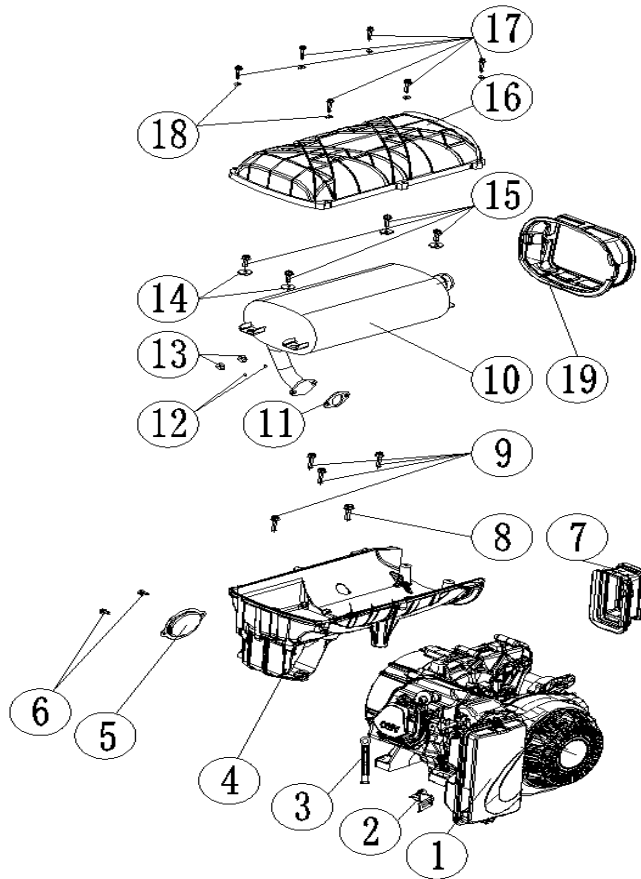


MX8000IS

NO.	DESCRIPTION	MAXWATT PART NUMBER
1	Engine SC460	SP80001
2	Nut /M10*1.25	
3	Shork Seating M10*1.25/ M10*1.25*40	
4	Plug	
5	Inverter Damping Pad	
6	Plate Assembly	
7	Support Components	
8	Nut /M8*1.25 /S=13	
9	Brake Parts	SP80002
10	Bolt /M8*1.25/25/S=10	
11	Bolt /M8*1.25/25/S=10	
12	Flat Washer/Φ8xΦ22x1.5	
13	Sleeves	
14	Axle	
15	Wheel Assembly	SP80003
16	Axle	
17	Muffler exhaust lower Cover Assembly	SP80004
18	Muffler Lower Cover	SP80005
19	Bolt /M6x1/12/S=8	
20	Bolt /M10*1.25/30	
21	Bolt /M8*1.25/30/S=10	
22	Exhaust Muffler	SP80006
23	Muffler Exhaust Hood	SP80007
24	Bolt /M8*1.25/20/S=10	
25	Muffler Exhaust Hood Assembly	SP80008
26	Bolt /M6*1/25/S=8	
27	Motor Exhaust Hood	SP80009
28	Bracket	
29	Bracket	
30	Frame Right Bar	
31	Frame Higher Bar	
32	Frame Lower Bar	
33	Bolt /M6*1/20/S=8	
34	Accumulator /149*85*130/12V.14Ah	
35	Battery Box	
36	Control panel /240V	SP80010
37	Bolt /M6*1/30/S=8	
38	Air hood Assembly	
39	Inverter Support	
40	Inverter Support	SP80011
41	Inverter parts /7KW/240V/50HZ	
42	Nut /M6*1/S=10	
43	Fuel tank Assembly /525.1x486.2/26L	SP80012
44	Fuel Tank Seal Strip	SP80013
45	Bolt /M5*25	
46	Cover Assembly	
47	Handle Pipe Assembly	
48	Handle Pipe Assembly	
49	Bolt /M6*1/16/S=8	
50	Right Cover Assembly	SP80014

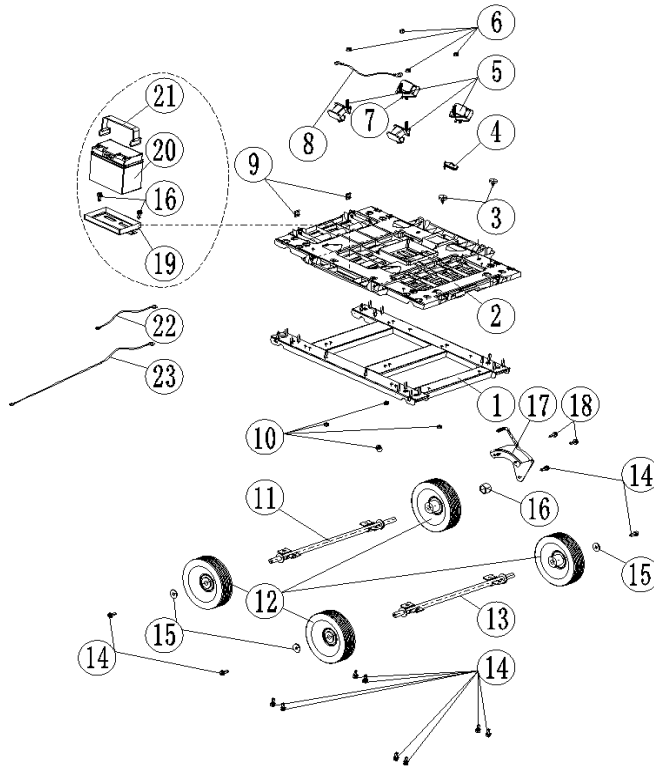
51	Plug /Φ35.2	
52	Right Side Window Panel Assembly	
53	Oil Board Plate Assembly	
54	Left Cover Assembly	SP80015
55	Left Side Window Panel Assembly	SP80016
56	Motor Cover Plate Assembly	
57	Sealing Strip /411.9*191.9	SP80017
58	Inverter Overlay Board Assembly	SP80018
59	Rubber-Covered Handrim	
60	Clip	
61	Clip	
62	Fuel Pipe /Φ7xΦ11/FKM+ECO	SP80019
63	Fuel Filter	SP80020
64	Flat Washer /Φ6.5*Φ18*1.6	
65	Flat Washer /Φ8*Φ23*2.5	
66	Nut	
67	Washer /Φ8.5/GB895	
68	Muffler washer /188F/1.5 ± 0.1/ROHS	
69	Battery Band	
70	Wiring Assembly	
71	Wiring Assembly	
72	Handle Cover /22.6*16*9.8/65MN/ROH	
73	Wiring Assembly	
74	Bolt /M6*1/12/S=8	
75	Support for Voltage Stabilizer Module	
76	Bolt /M10*1.25/15/S=10	
77	Direct Current Stabilizer	
78	Handle Holder	
79	Handle Holder	
80	Pin	
81	Spring	
82	Pull Assembly	SP80021
83	Bolt /M5*0.8/12/S=8	
84	Handle Pipe Assembly	
85	Nut	
86	Pin	
87	Bolt /M8*1.25/55/S=10	
88	Nut	
89	Charger Module	SP80022
90	Sensor	SP80023
91	Damping Bearing	
92	Rubber-Covered Hand Rim	

COMPLETE MACHINE



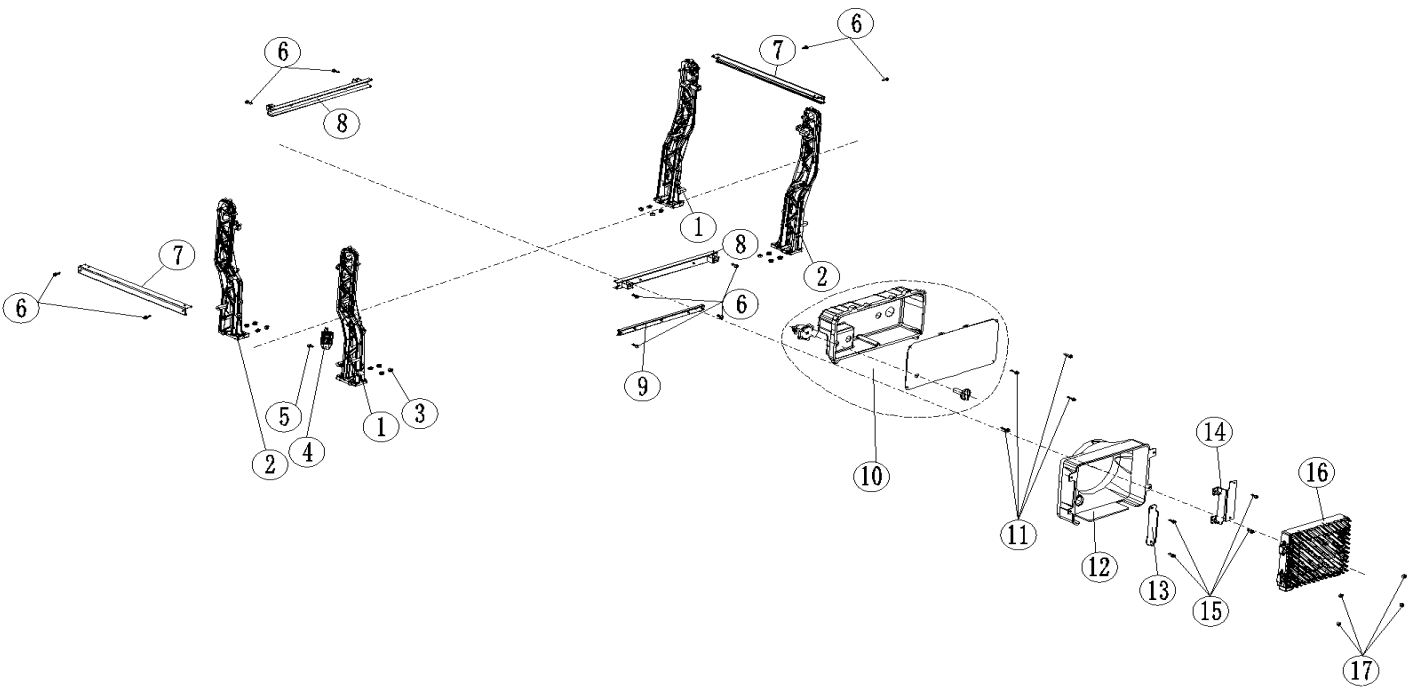
NO.	DESCRIPTION	MAXWATT PART NUMBER
1	Engine SC460L Invertor Generator	SP80001
2	Air Filter Support	SP80025
3	Temperature Sensor	
4	Muffler Vent Down Cover Assembly	SP80004
5	Muffler Down Cover Plate	SP80005
6	Flange Bolt	
7	Alternator Vent Rubber Cover	
8	Flange Bolt	
9	Flange Bolt	
10	Exhaust Muffler	SP80006
11	Muffler Washer	
12	Spring Washer	
13	Flange Nut	
14	Washer	
15	Flange Bolt	
16	Muffler Vent Upper Cover Assembly	SP80008
17	Flange Bolt	
18	Washer	
19	Muffler Vent Rubber Cover	SP80009

BASE PLATE ASSEMBLY



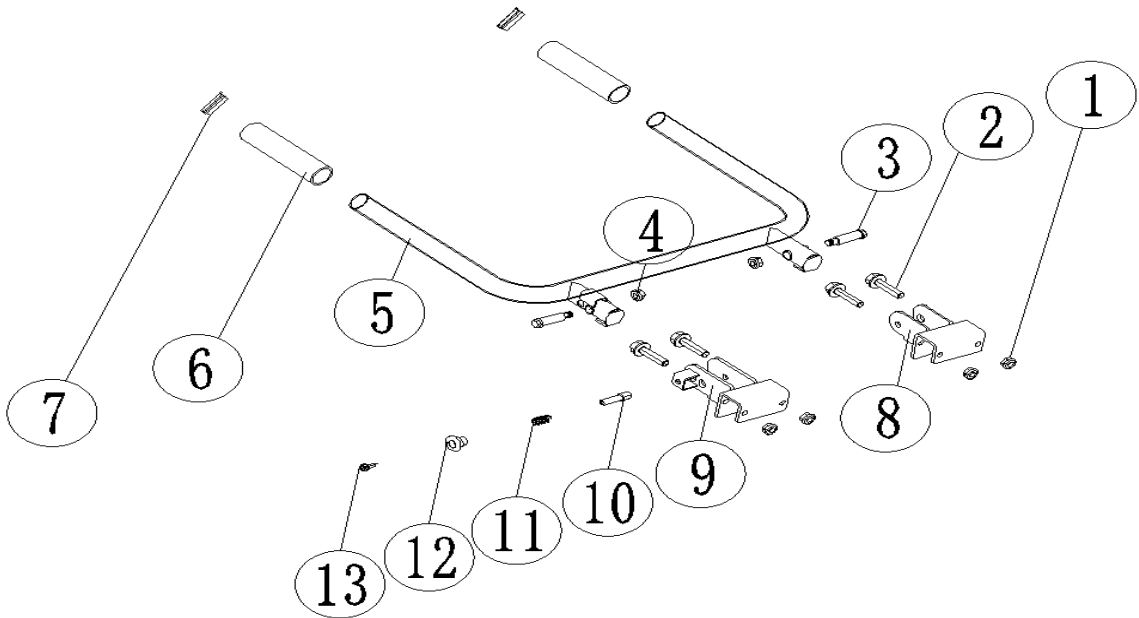
NO.	DESCRIPTION	MAXWATT PART NUMBER
1	Support Plate	
2	Flange Bolt	
3	Inverter Shock Absorber	
4	Drain Plug	
5	Shock Absorber Mount	
6	Flange Nut	
7	Shock Absorber Mount	
8	Grounding Wire	
9	Handle Cover	
10	Flange Nut	
11	Wheel Axle	
12	Wheel Assembly	SP80003
13	Wheel Axle	
14	Flange Bolt	
15	Washer	
16	Bush	
17	Brake Parts	
18	Flange Bolt	SP80002
19	Battery Box	
20	Battery	SP80034
21	Battery Hoop	
22	Negative Charging Wire	
23	Positive Charging Wire	SP80028

RACK COMPONENTS



NO.	DESCRIPTION	MAXWATT PART NUMBER
1	Support/right	
2	Support/ left	
3	Flange Nut	
4	DC Regulator	
5	Flange Bolt	
6	Flange Bolt	
7	Frame Right Beam	
8	Upper Beam	
9	Down Beam	
10	Control Panel Assembly	SP80010
11	Flange Bolt	
12	Wind Scooper Assembly	
13	Inverter Fixing Bracket	
14	Inverter Fixing Bracket	
15	Flange Bolt	SP80011
16	Inverter Parts	
17	Flange Nut	

UBOLT VIEW



NO.	DESCRIPTION	MAXWATT PART NUMBER
1	Nylon Nut	
2	Flange Bolt	
3	Handle Pin	
4	Flange Nut	
5	Handle Assembly	
6	Handle Rubber Sleeve	
7	Rubber Plug	
8	Handle Fixed Mount/left	
9	Handle Fixed Mount/right	
10	Pin	
11	Spring	
12	Flange Bolt	

NO.	ADDITIONAL PARTS	MAXWATT PART NUMBER
1	14 AH Replacement Battery	SP80034
2	Ignition Assembly with Remote Start	SP80035

SPARE PARTS AND SERVICING

WHERE DO I TAKE MY PRODUCT FOR SERVICE OR REPAIR?

Please contact MaxWatt at customercare@maxwatt.com.au we can provide after-sales support for your generator.

Should you experience any problems with your generator, it is recommended that you consult the troubleshooting guide in the Instruction Manual first before contacting us. The most common issues can be resolved quickly in this manner without the inconvenience of having to take your generator to a service agent.

ARE SPARE PARTS AVAILABLE FOR PURCHASE?

Yes, we carry a full range of spare parts for all products. Please check our catalogue for a full list of spare parts and contact us if you need to order anything.

Distributed by:



Shop 15/1440 New Cleveland Rd, Chandler QLD 4155

(07) 3732 5363

customercare@maxwatt.com.au