

MAXWATT®

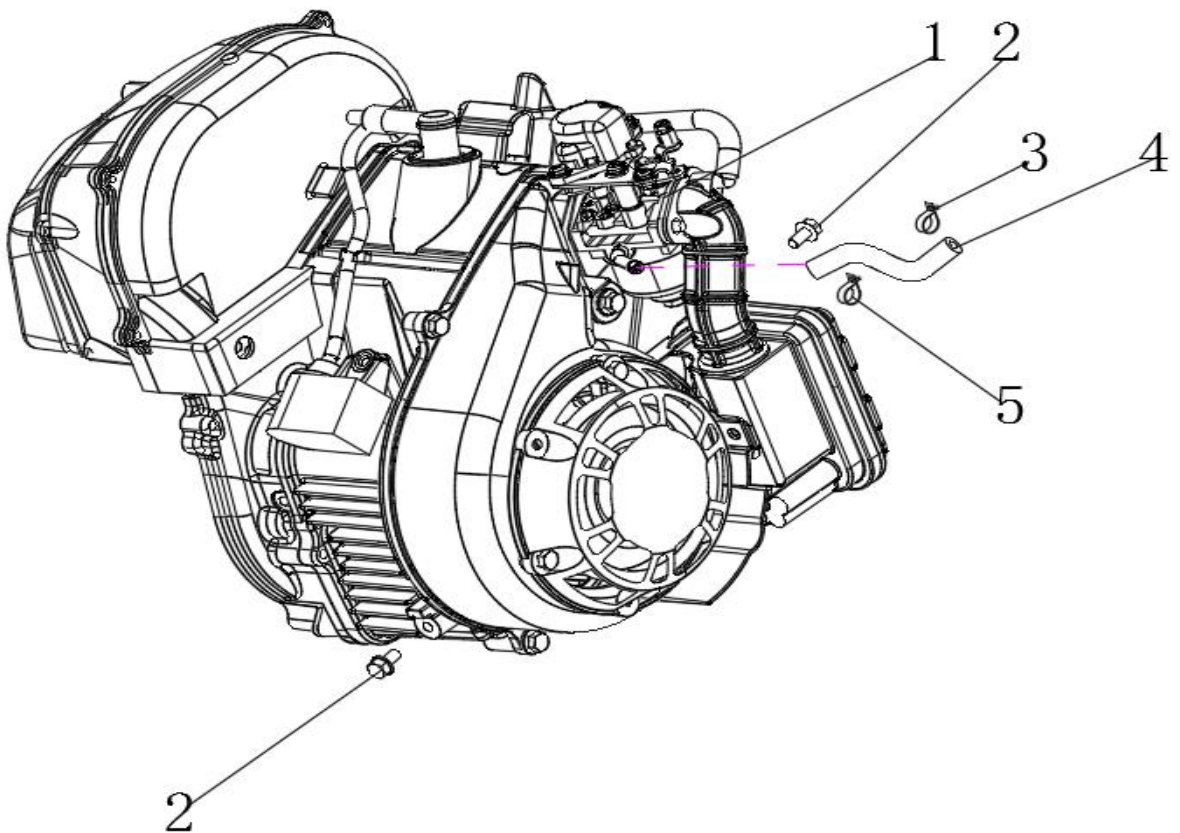
POWER WHEN YOU NEED IT

SPARE PARTS CATALOGUE



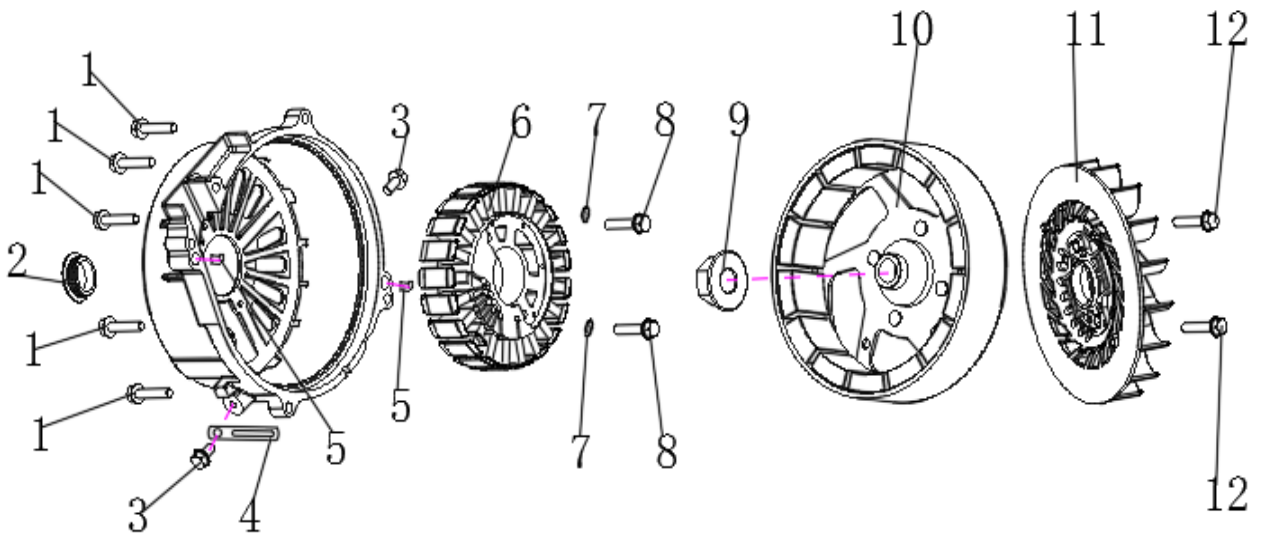
MX2000iS – MX2000iY

ENGINE ASSEMBLY



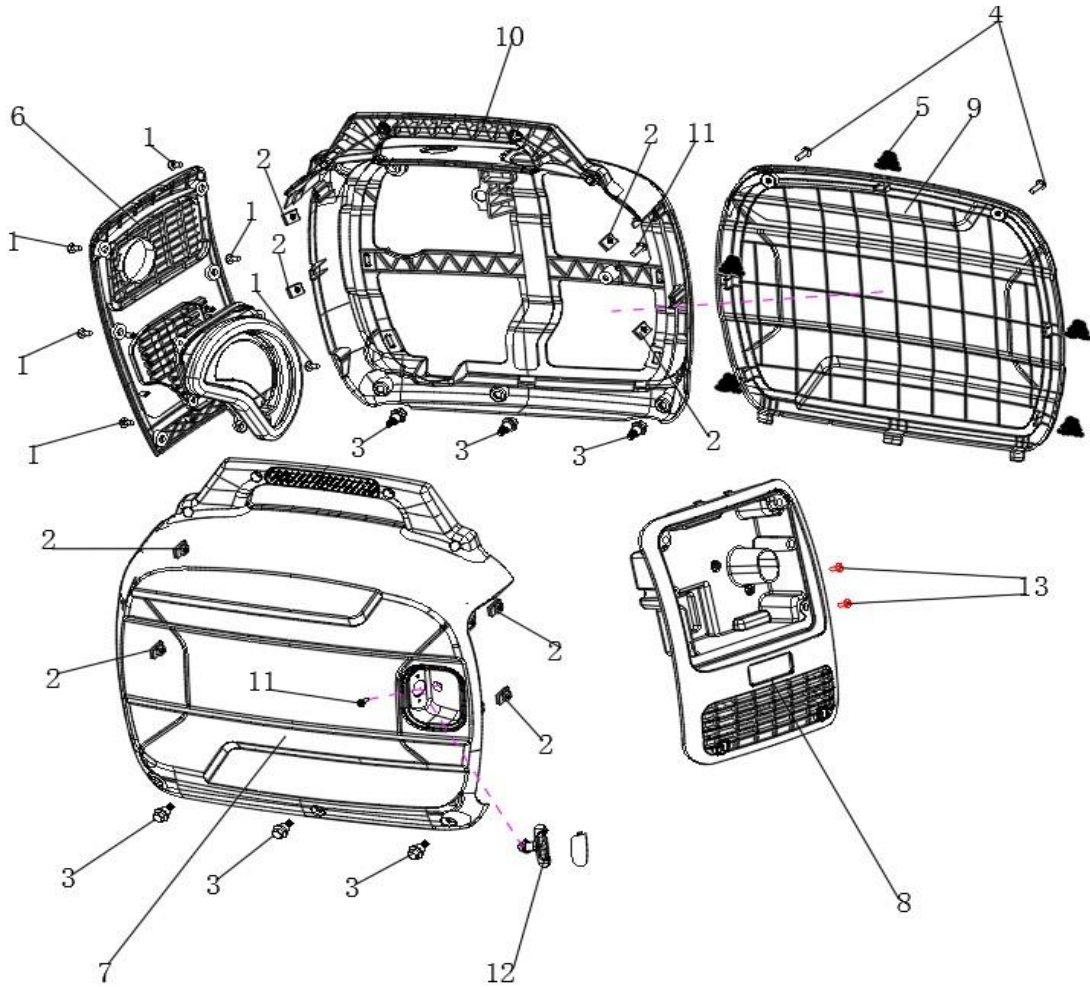
NO.	DESCRIPTION	MAXWATT PART NUMBER
1	Replacement Engine	SP10000
2	Replacement Engine - Yamaha	SP10001
3	Hexagon Flange Bolts	
4	Clamp	
5	Fuel Pipe	
6	Clamp	SP10002

ALTERNATOR



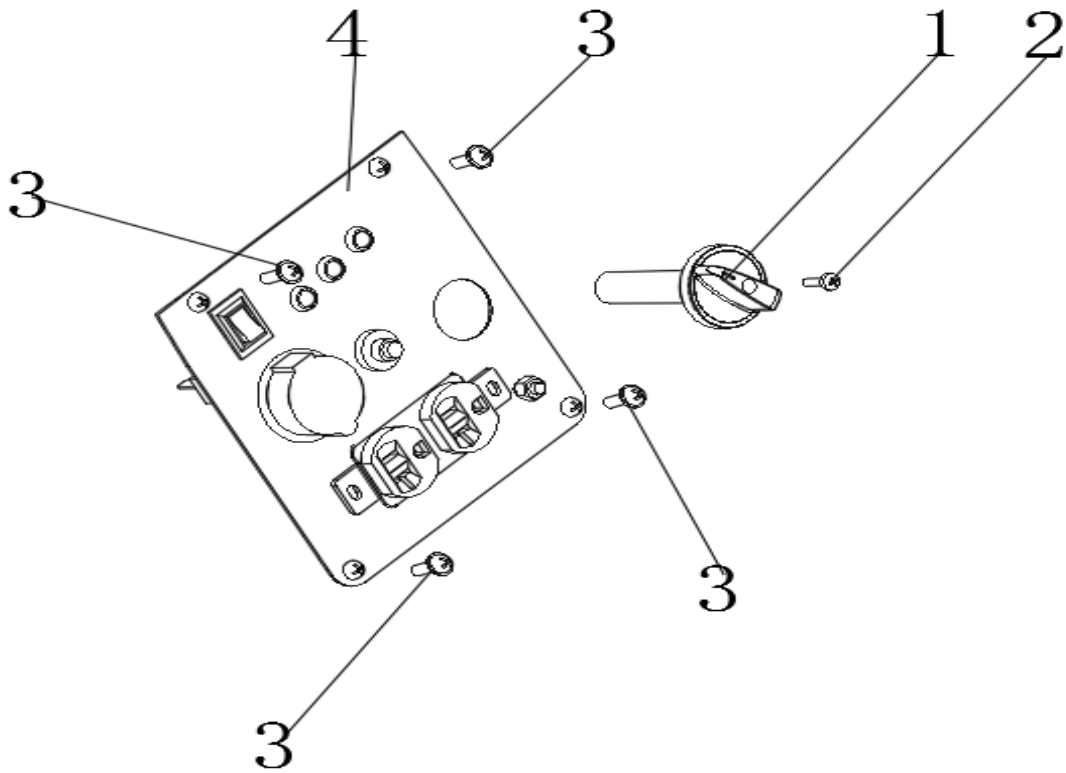
NO.	DESCRIPTION	MAXWATT PART NUMBER
1	Hexagon Flange Bolts	
2	End Cap	SP10003
3	Hexagon Flange Bolts	
4	Metal Clip	
5	Locating Pin	
6	Stator	SP10004
7	Spring Washer	
8	Hexagon Flange Bolts	
9	Hexagon Nut with Flange	
10	Rotor	SP10004
11	Cooling Fan	SP10005
12	Hexagon Flange Bolts	

FRAME



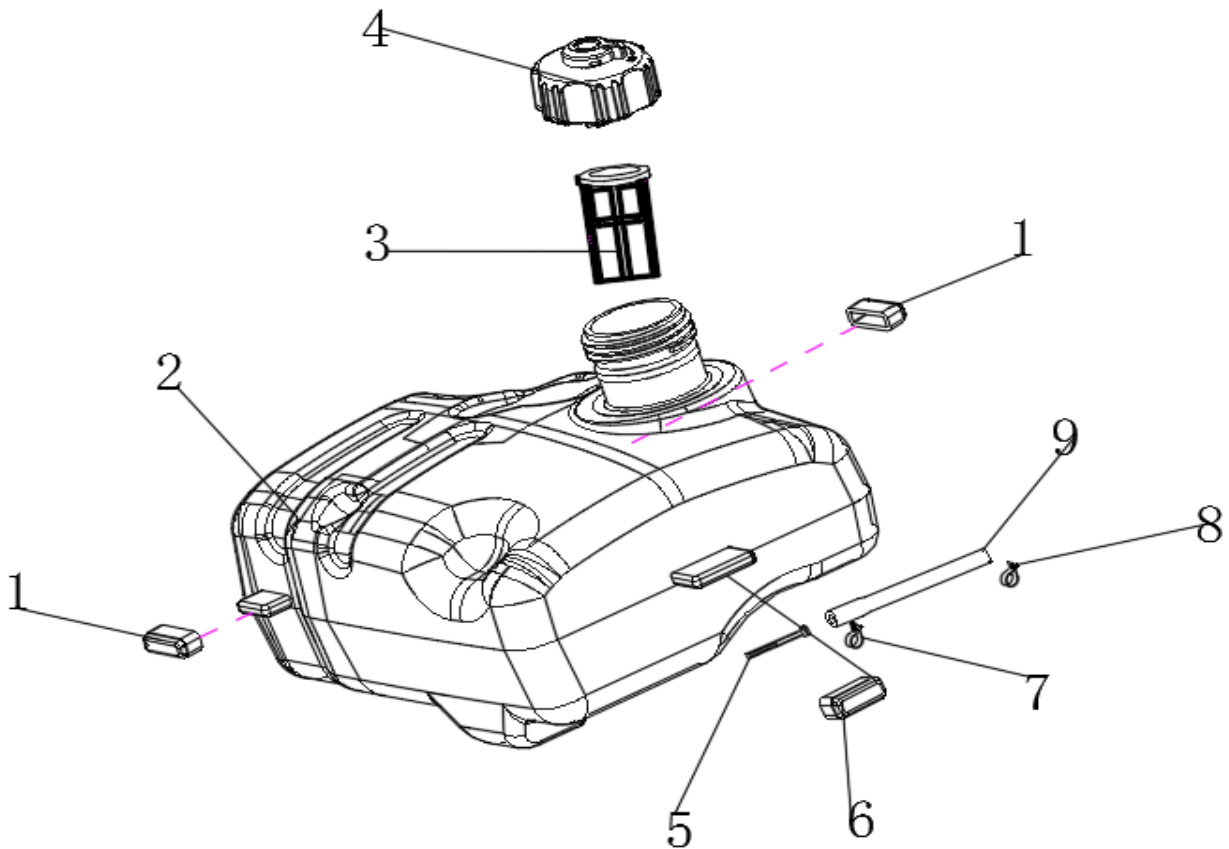
NO.	DESCRIPTION	MAXWATT PART NUMBER
1	Cross Recess Pan Head Screw	
2	Clip Nut	
3	Hexagon Socket Pan Head Bolt	
4	Cross Recess Pan Head Screw	
5	Spring clip	
6	Outlet Cover Plate	SP10006
7	Front Housing Assembly	SP10007
	Front Housing Assembly	SP10008
8	Inlet Cover Plate	SP10009
9	End Cover Assembly	SP10010
	End Cover Assembly	SP10011
10	Rear Housing Assembly	SP10012
	Rear Housing Assembly	
11	Cross Recess Pan Head Screw	SP10013
12	Pull Starter	
13	Cross Recess Pan Head Screw	

CONTROL PANEL



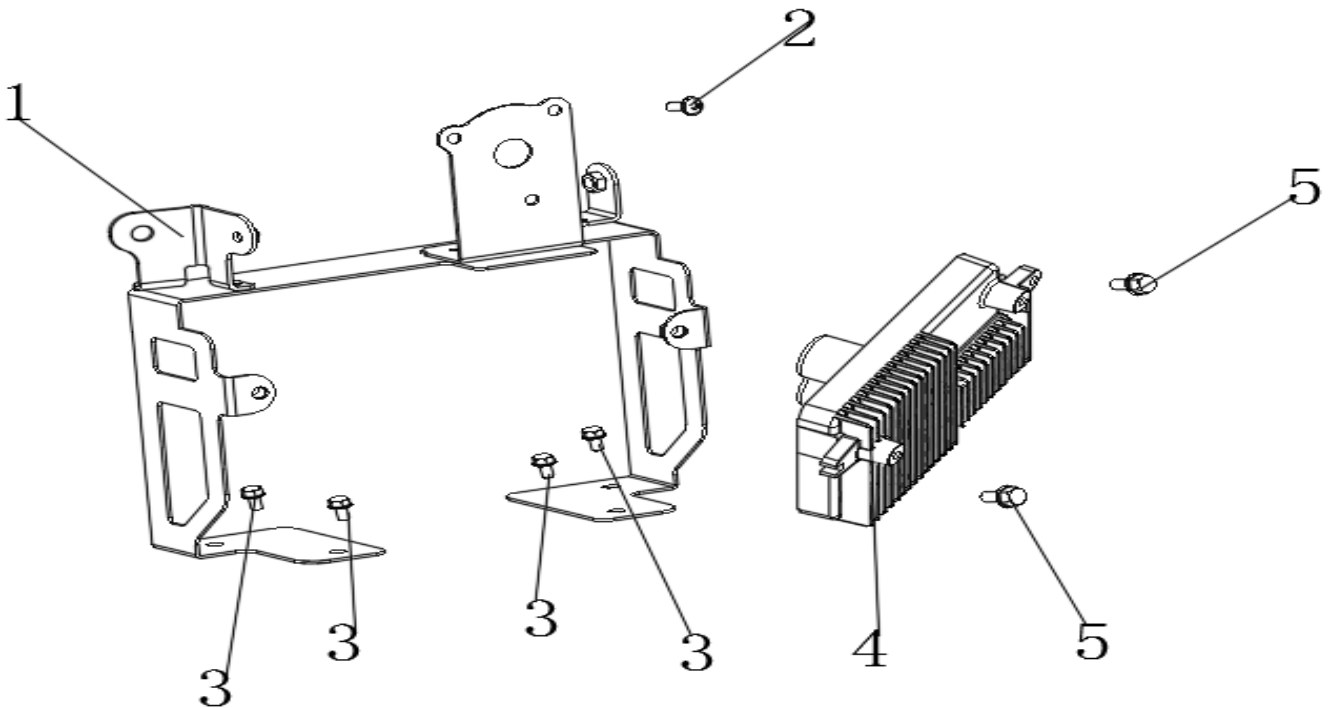
NO.	DESCRIPTION	MAXWATT PART NUMBER
1	Starting Switch	SP10014
2	Cross Recess Pan Head Screw	
3	Cross Recess Pan Head Screw	
4	Control Panel	SP10015
	Control Panel	SP10016

FUEL TANK



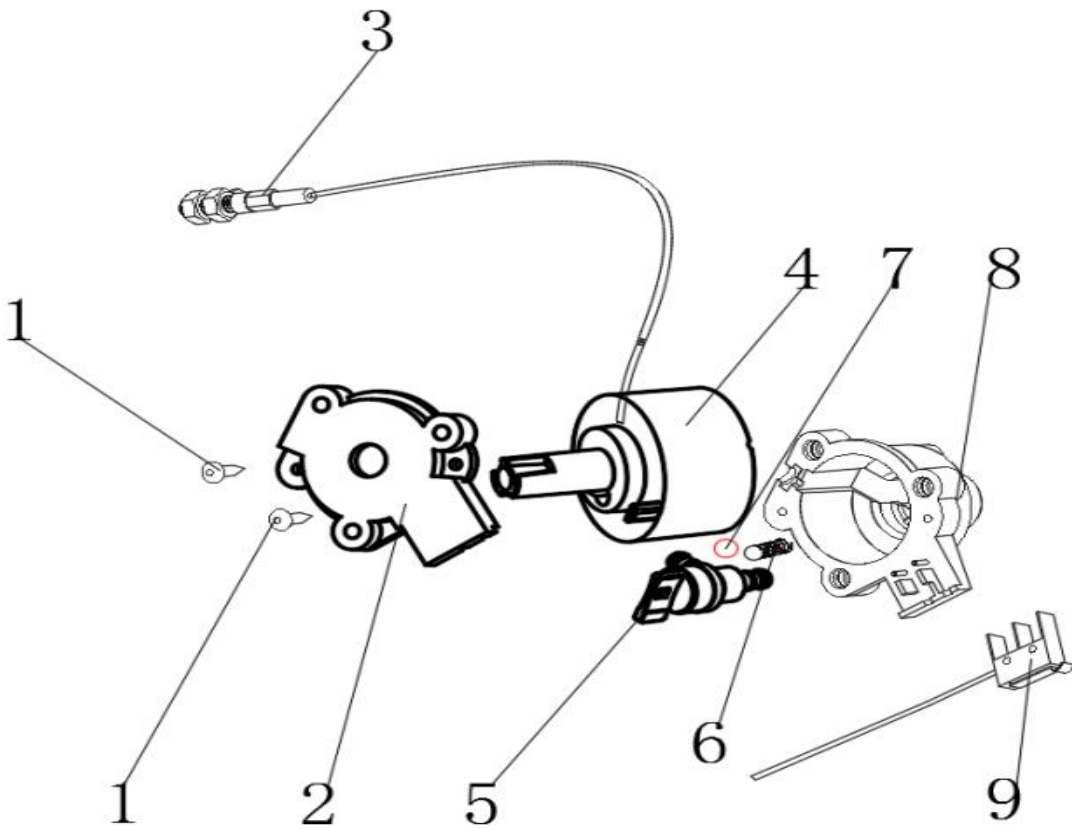
NO.	DESCRIPTION	MAXWATT PART NUMBER
1	Fuel Tank Assembly	SP10017
2	Fuel Tank Rubber Cover	SP10018
3	Fuel Filter	SP10019
4	Fuel Tank Cap	SP10020
5	Filter Assembly	
6	Fuel Tank Rubber Cover	
7	Clamp	
8	Clamp	
9	Fuel Pipe	SP10021

INVERTER



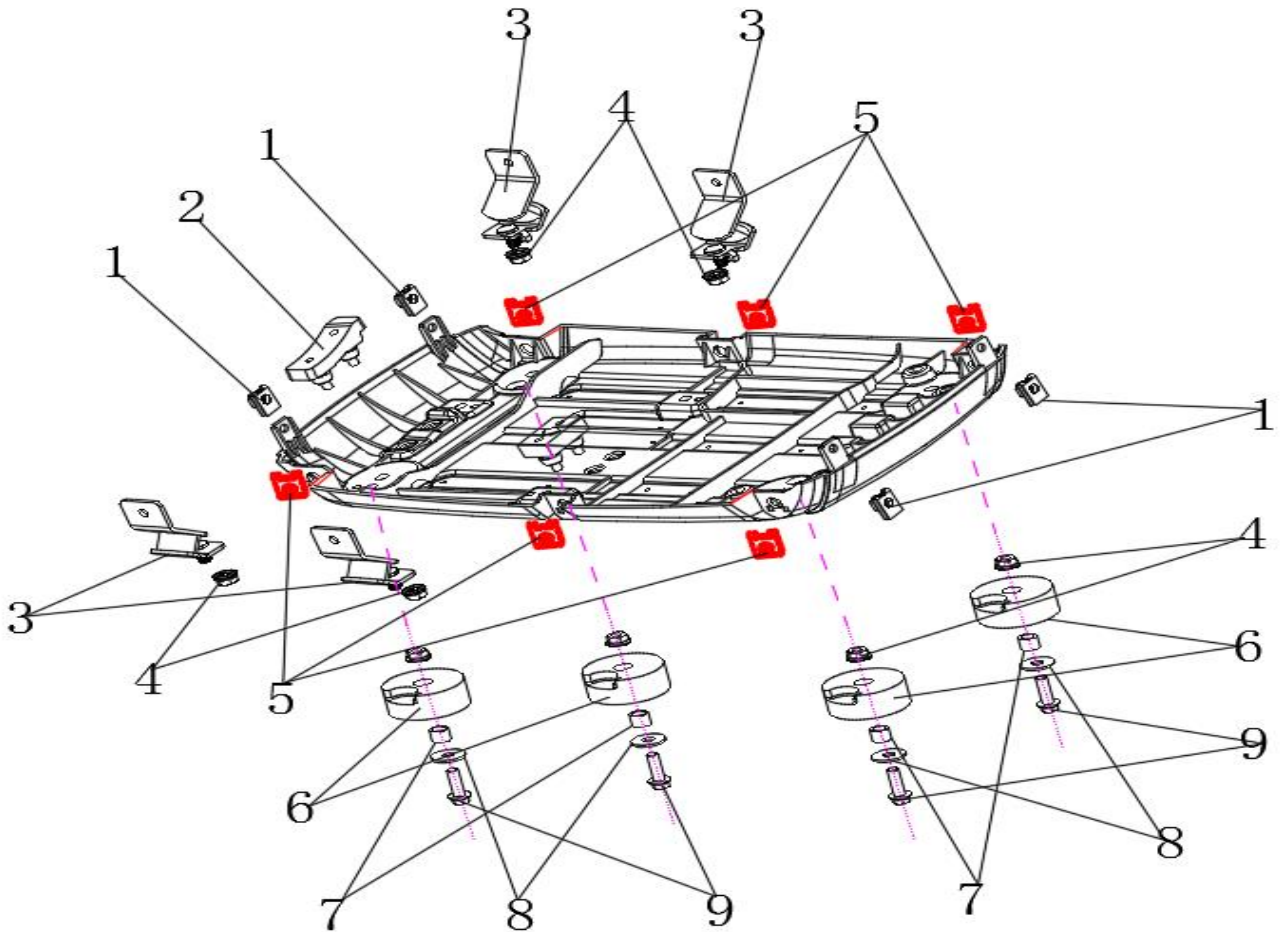
NO.	DESCRIPTION	MAXWATT PART NUMBER
1	Bracket	
2	Cross Recess Pan Head Screw	
3	Hexagon Flange Bolts	
4	Invertor Module	SP10022
5	Hexagon Flange Bolts	

ROTOR



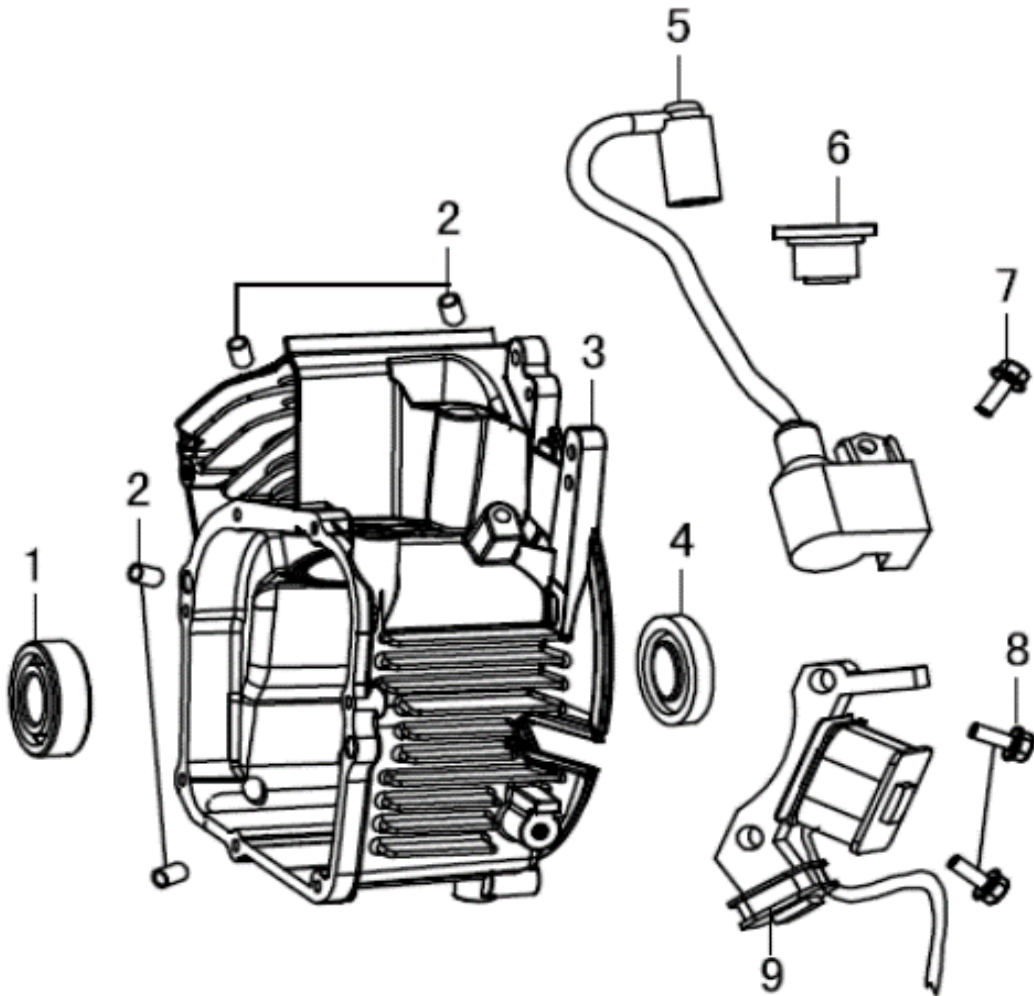
NO.	DESCRIPTION	MAXWATT PART NUMBER
1	Self-Tapping Screw with Cross Groove Pan Head	
2	Three-in-one Switch Positioning Base	
3	Choke	SP10023
4	Three-in-one Rotor	SP10024
5	Three in one Switch	SP10025
6	Spring	
7	Steel Ball	
8	Three in one Switch Base	
9	Off Switch	SP10026

ENGINE BASE



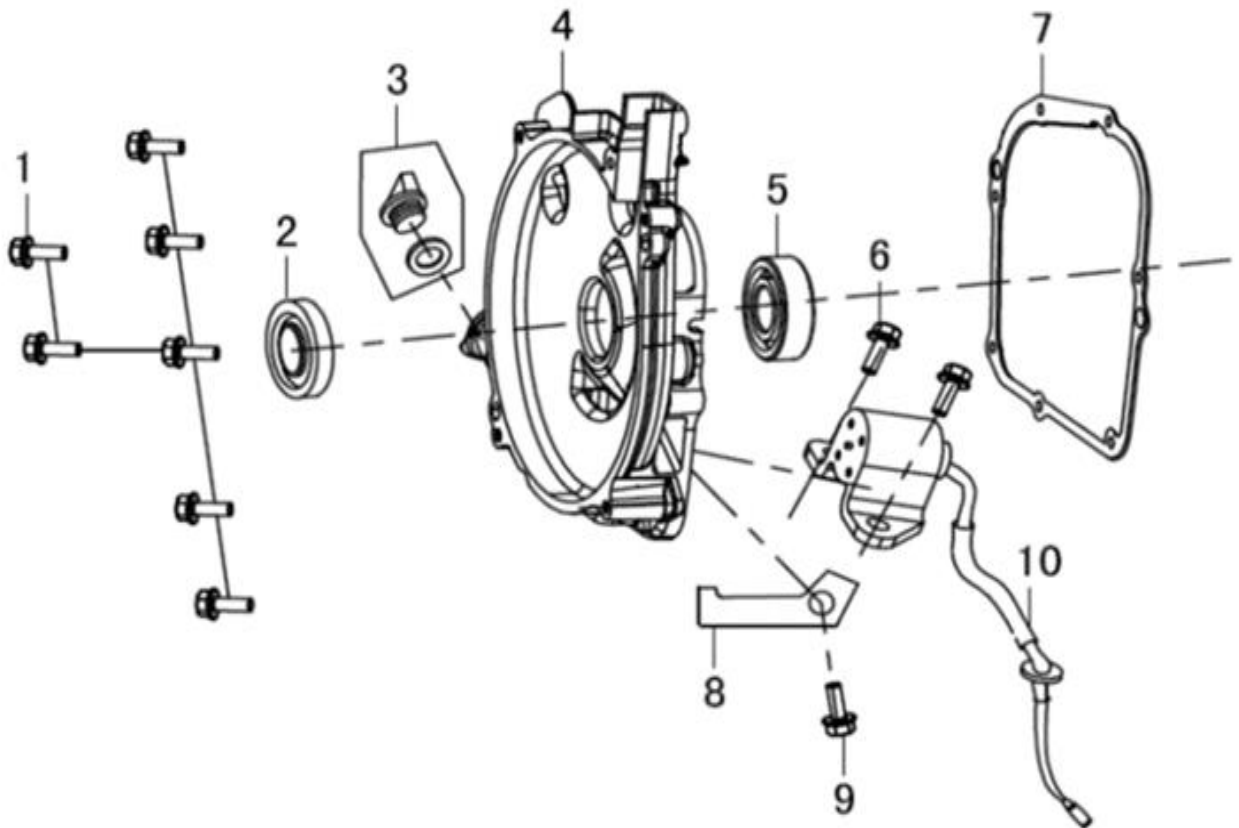
NO.	DESCRIPTION	MAXWATT PART NUMBER
1	Clip Nut	
2	Alternator Rubber Gasket	SP10027
3	Vibration Proof Mounting	
4	Hexagon Nut with Flange	
5	Clip Nut	
6	Rubber Pad for Housing	
7	Bush	
8	Flat Washer	
9	Hexagon Flange Bolts	

CRANK CASE



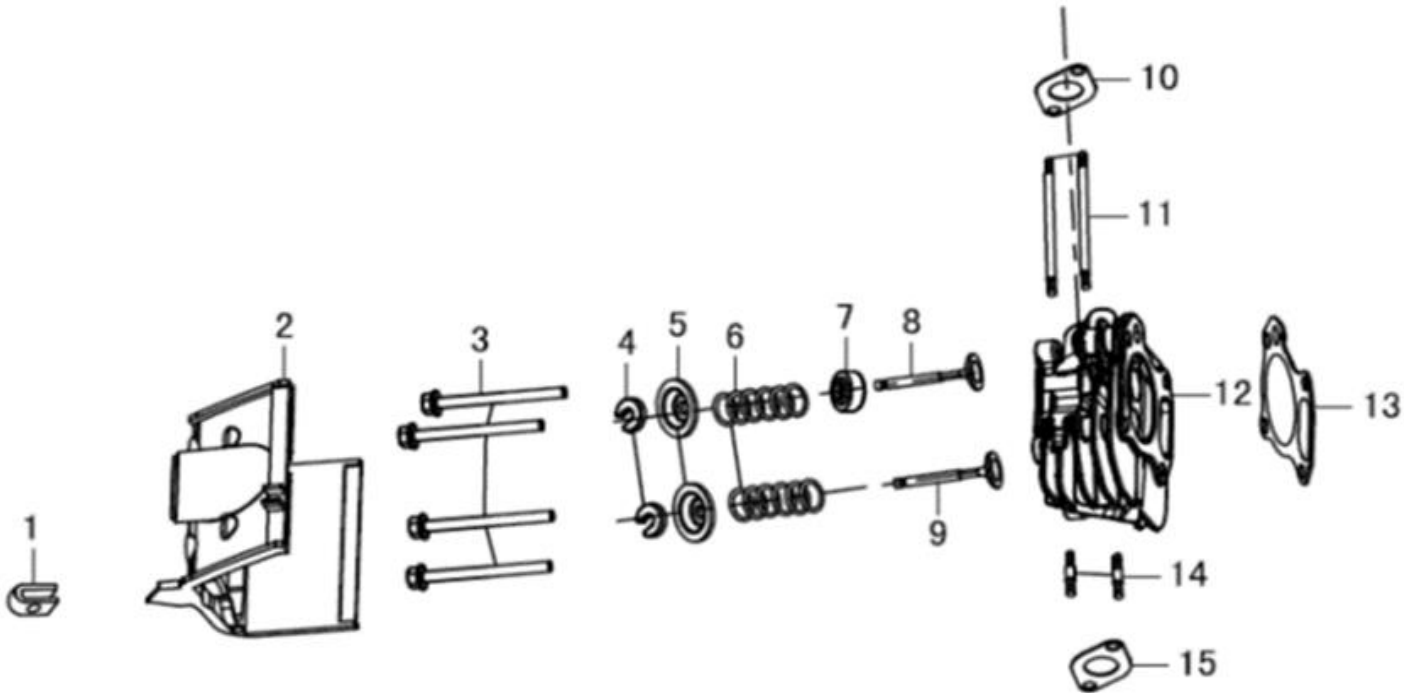
NO.	DESCRIPTION	MAXWATT PART NUMBER
1	Bearing	
2	Locating Pin	
3	Crankcase	
4	Crankshaft Oil Seal	
5	Igniter	SP10028
6	Rubber Protective Sleeve	
7	Bolt/M6*1/16/S	
8	Bolt/M6 * 1/20/S	
9	Trigger coil	

CRANK CASE COVER



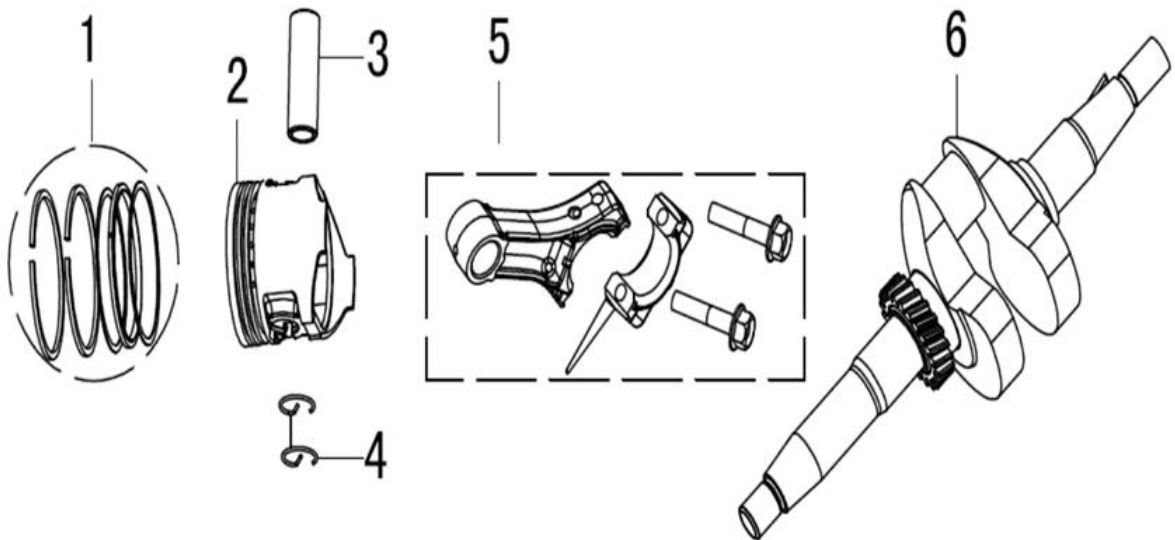
NO.	DESCRIPTION	MAXWATT PART NUMBER
1	Bolt/M6 * 1/25 / S	
2	Crankshaft Oil Seal	SP10029
3	Oil Gauge Assembly	SP10030
4	Crankcase Cover	
5	Bearing	
6	Bolt/M6 * 1/14 / S	
7	Crankcase Gasket	SP10031
8	Tension Disc	
9	Bolt/M6 * 1/14 / S	
10	Oil Alarm	SP10032

CYLINDER HEAD



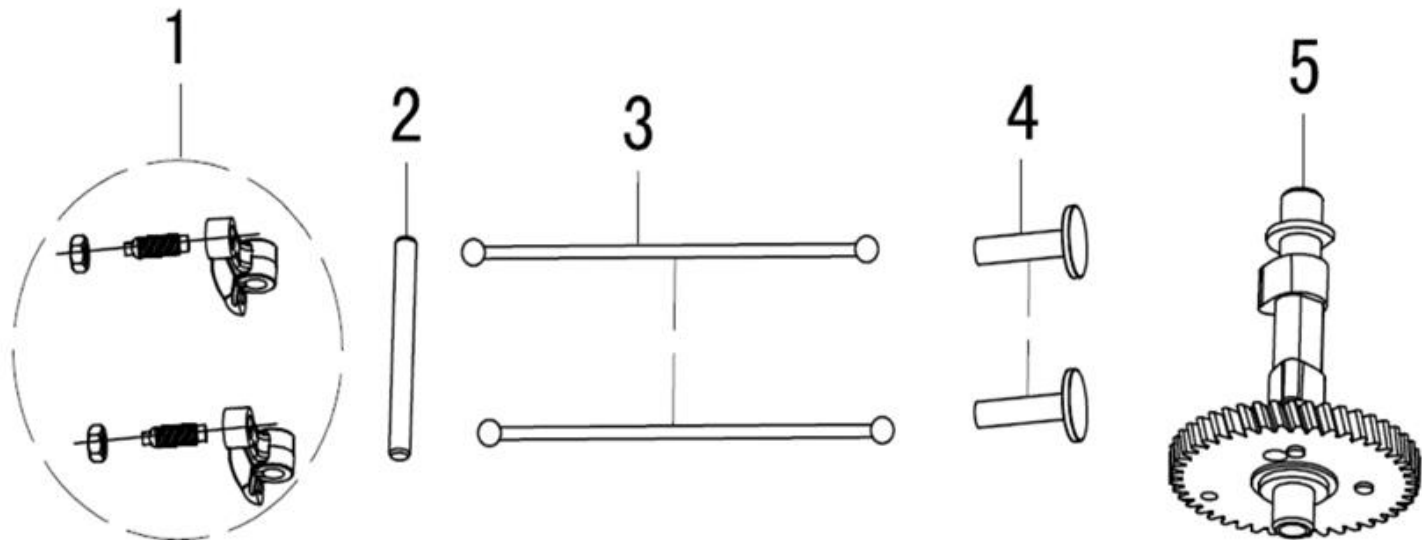
NO.	DESCRIPTION	MAXWATT PART NUMBER
1	Clip	
2	Cylinder Head Air Guide Hood	
3	Bolt/M6 * 1/50 / S	
4	The Clamping Ring	
5	Inlet Valve Spring Seat	
6	Valve Springs	
7	Oil Cover For Intake Valve	SP10033
8	Inlet Valve	
9	Exhaust Valve	
10	Air Inlet Gasket	
11	Intake Stud	
12	Cylinder Head Assembly	SP10034
13	Cylinder Head Gasket	
14	Exhaust Studs	
15	Muffler Gasket	

PISTON/CONNECTING ROD/CRANKSHAFT



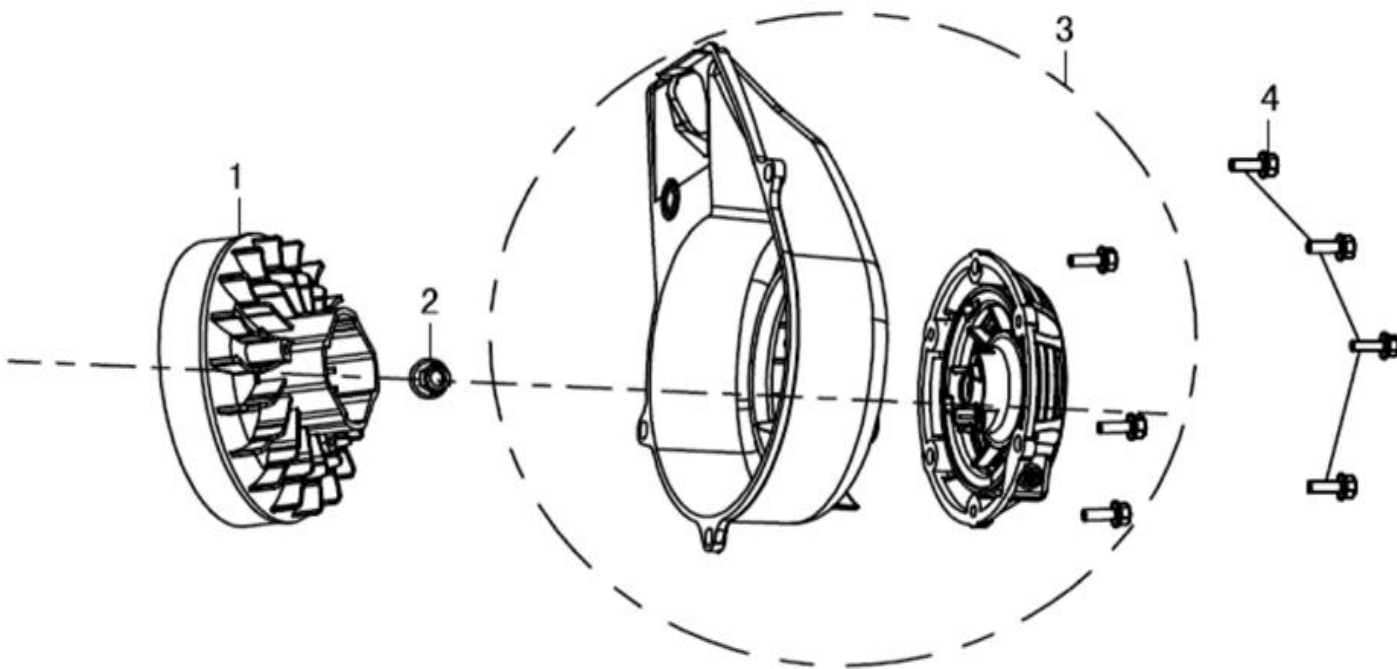
NO.	DESCRIPTION	MAXWATT PART NUMBER
1	Piston Ring Assembly	SP10035
2	Piston	
3	Piston Pin	
4	Piston Ring Pin	
5	Connecting Rod Combination	SP10036
6	Crankshaft Assembly	SP10037

CAMSHAFT



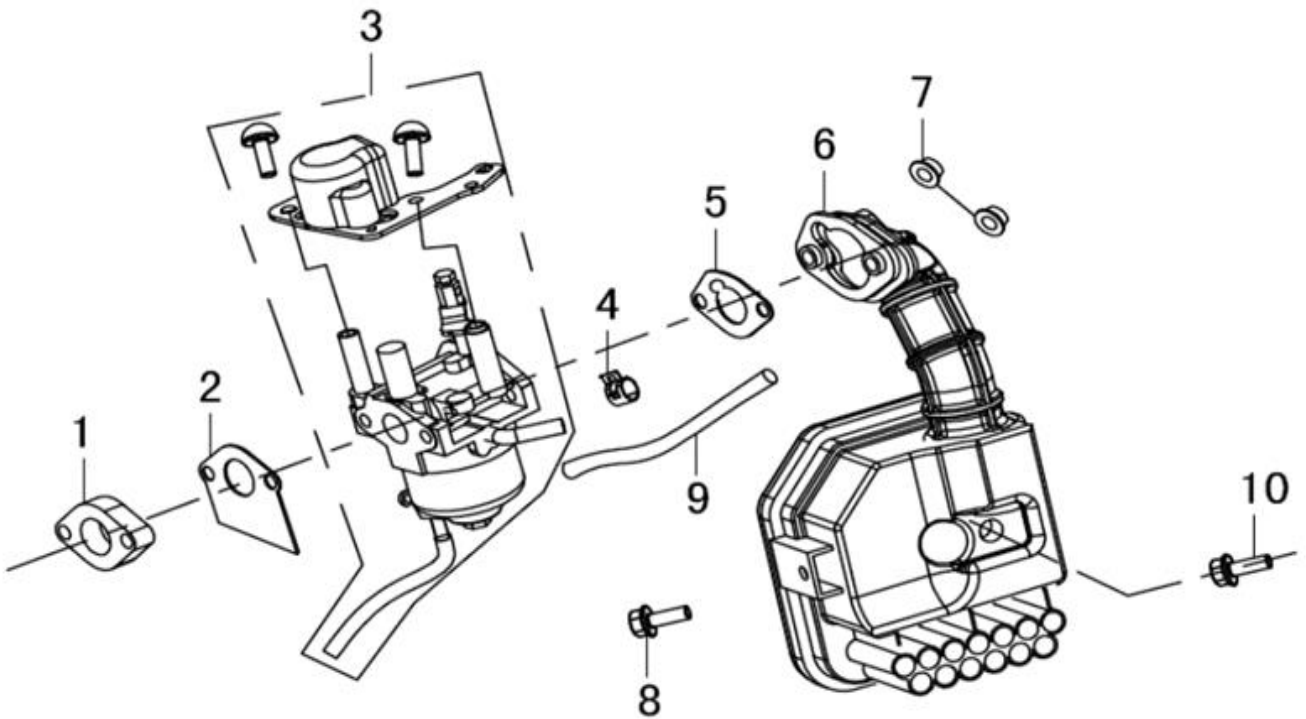
NO.	DESCRIPTION	MAXWATT PART NUMBER
1	Valve Rocker Arm Assembly	SP10038
2	Rocker Arm shaft	
3	Valve Push Rod	
4	Valve Lifter	
5	Cam	SP10039

RECOIL STARTER



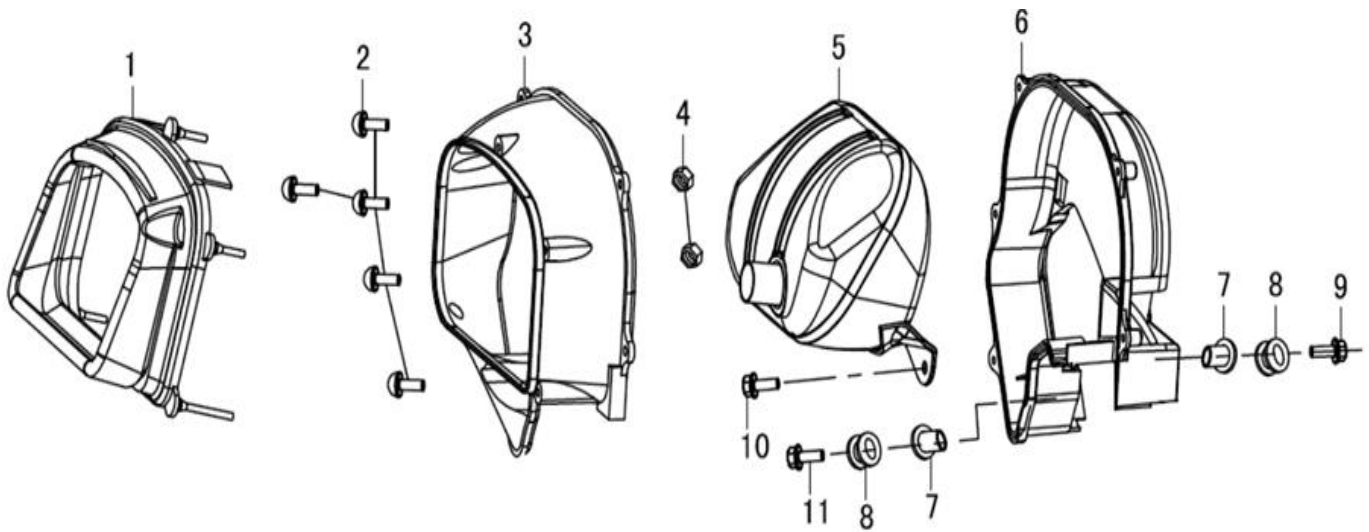
NO.	DESCRIPTION	MAXWATT PART NUMBER
1	Flywheel	SP10040
2	Nut/M12 * 18 // S = 1.25	
3	Starter Assembly	SP10041
4	Bolt/M6 * 1/16 / S	

CARBURETTOR



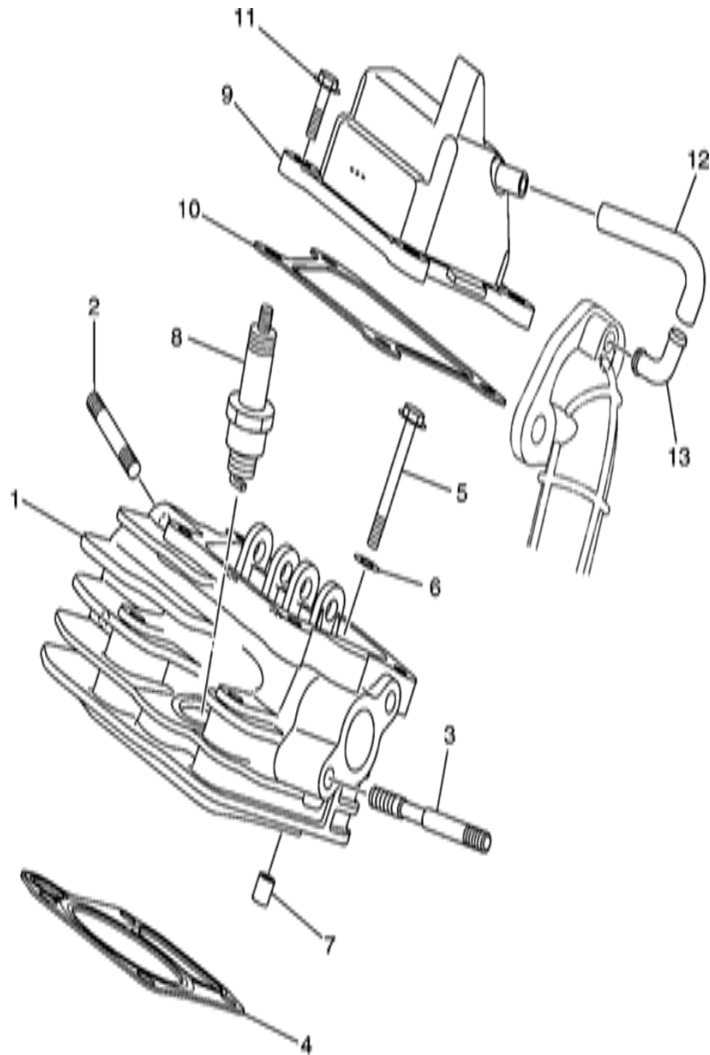
NO.	DESCRIPTION	MAXWATT PART NUMBER
1	Carburetor Connector Block	SP10042
2	Carburetor Gasket	
3	Carburetor Assembly	
4	Clamp	SP10043
5	Air Filter Seal Plate	
6	Air Filter Assembly	
7	Nut/M6 * 1.0 / S	SP10044
8	Bolt/M6 * 1/16 / S	
9	Fuel Pipe	SP10044
10	Bolt/M6 * 1/20 / S	

MUFFLER / FUEL TANK



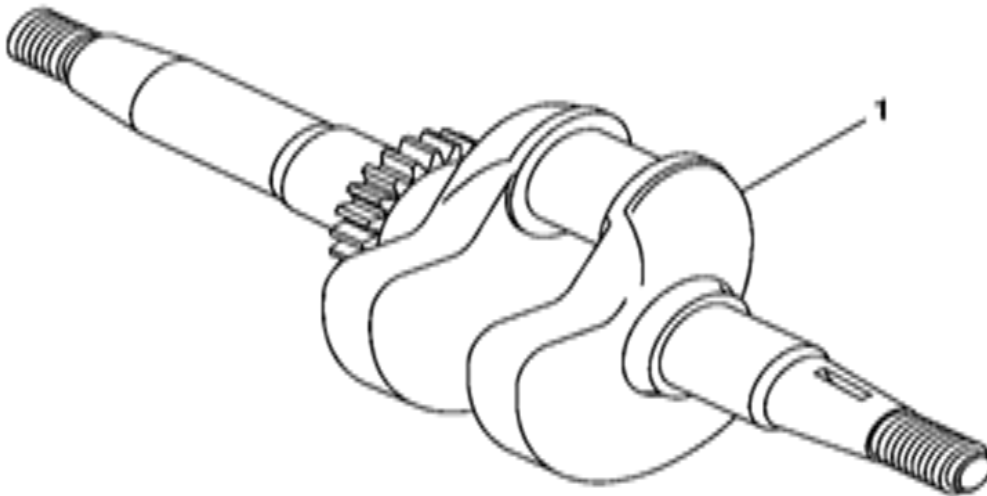
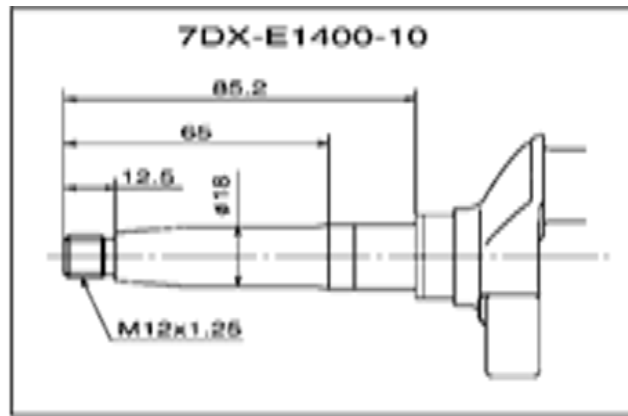
NO.	DESCRIPTION	MAXWATT PART NUMBER
1	A Bumper	-
2	Tapping Screw/ST4.8/16/	-
3	Muffler Enclosure	-
4	Nut /M6*1/S=10/ black zinc /	-
5	Muffler Unit	SP10045
6	Muffler Inner Cover	-
7	Screw Seat	-
8	A Bumper	-
9	Bolt/M6 * 1/20/ S	-
10	Bolt/M6 * 1/14/ S	-
11	Bolt/M6 * 1/20/ S	-

YAMAHA CYLINDER HEAD



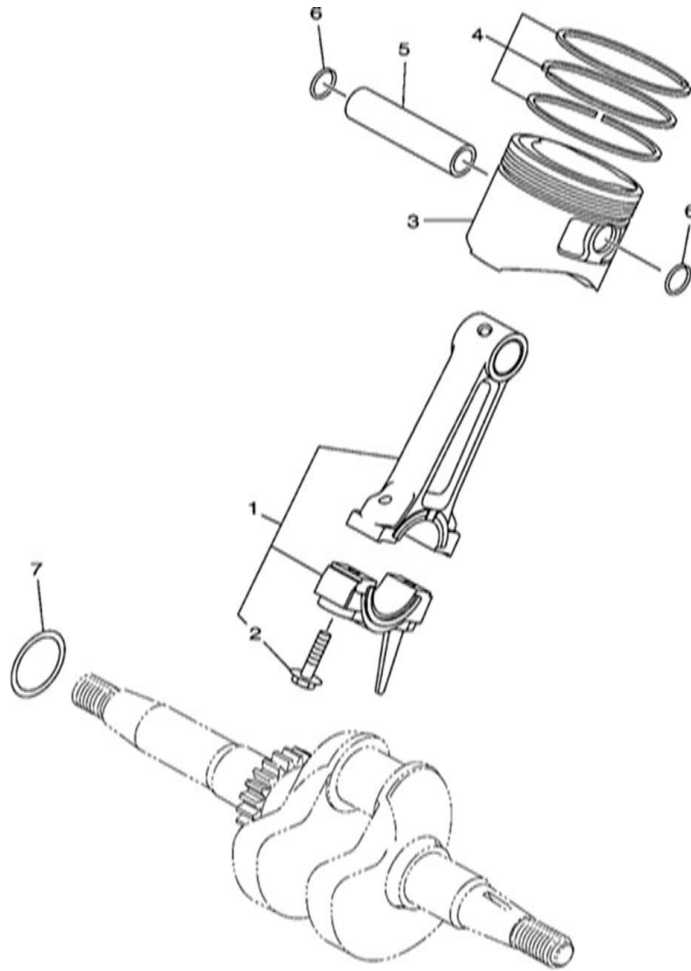
NO.	DESCRIPTION	MAXWATT PART NUMBER
1	Cylinder Head 1	SP10046
2	Stud Bolt	
3	Stud Bolt	
4	Cylinder Head Gasket 1	SP10047
5	Bolt Flange	
6	Washer	
7	Pin Dowel	
8	Spark Plug (Ngk Bpr6Hs)	SP10048
9	Cylinder Head Cover 1	
10	Cylinder Gasket	SP10049
11	Bolt Flange	
12	Pipe Breather 1	SP10050
13	Pipe 1	SP10051

YAMAHA CRANKSHAFT



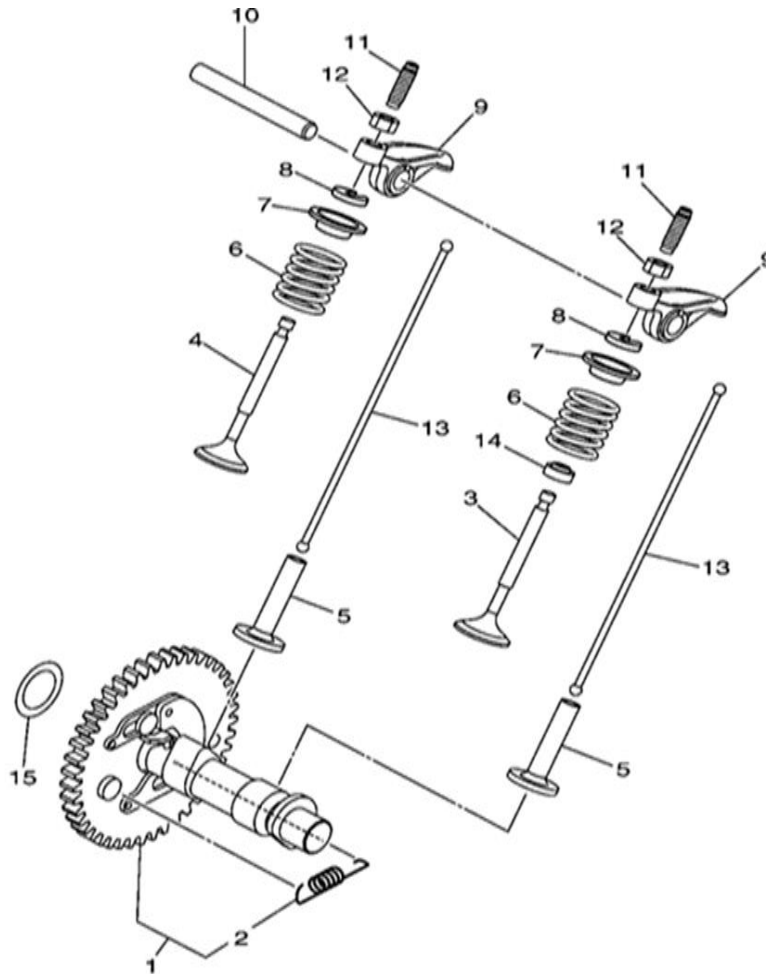
NO.	DESCRIPTION	MAXWATT PART NUMBER
1	Crankshaft Assembly	SP10052

YAMAHA CRANKSHAFT & PISTON



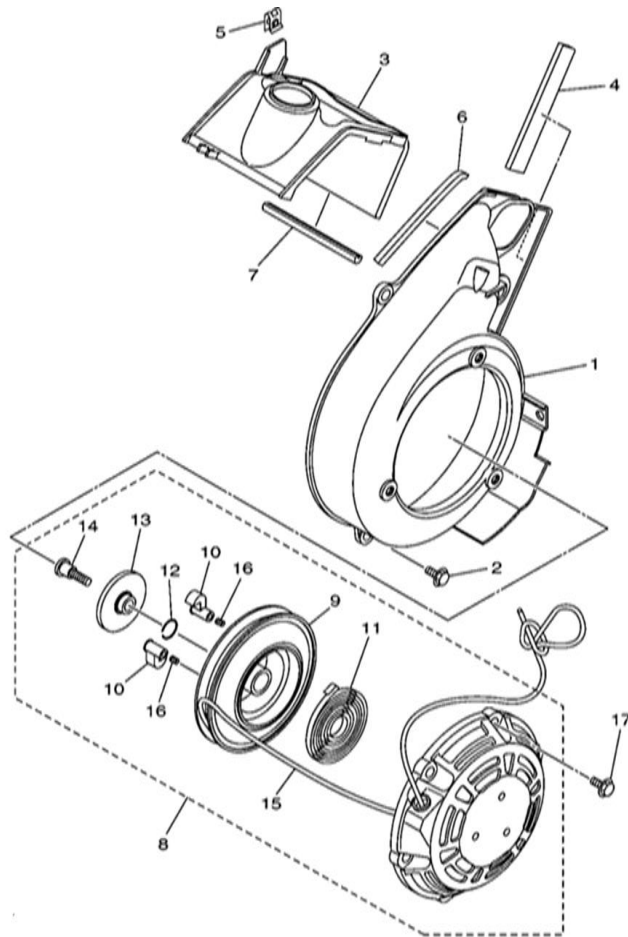
NO.	DESCRIPTION	MAXWATT PART NUMBER
1	Connecting Rod Assembly	SP10052
2	Bolt Connecting Rod	
3	Piston (Std)	SP10053
4	Piston (0.25Mm O/S)	
5	Piston (0.50Mm O/S)	
6	Piston Ring Set (Std)	
7	Piston Ring Set (0.25Mm O/S)	
8	Piston Ring Set (0.50Mm O/S)	
9	Pin Piston	
10	Circlip	
11	Shim Crank 1	

YAMAHA CAMSHAFT & VALVE



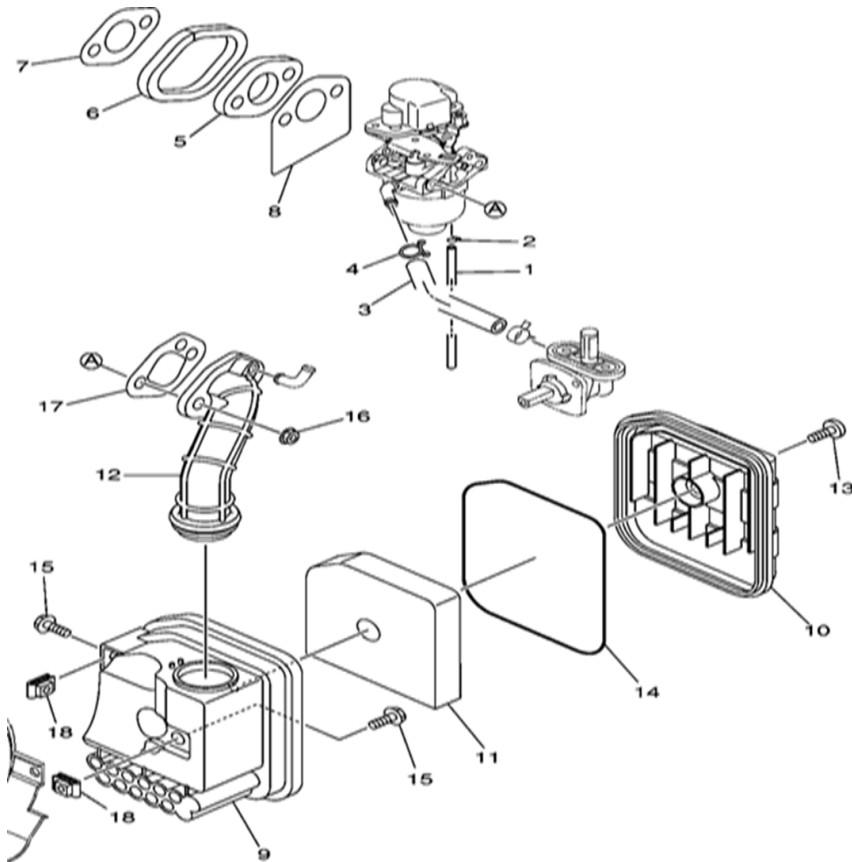
NO.	DESCRIPTION	MAXWATT PART NUMBER
1	Camshaft Assembly 2	SP10055
2	Decompression Spring	
3	Intake Valve	SP10056
4	Exhaust Valve	
5	Lifter Valve	
6	Compression Spring	
7	Valve Spring Retainer	
8	Valve Spring Retainer Lock	
9	Rocker Arm Valve	
10	Rocker Shaft 2	
11	Valve Adjusting Screw	
12	Nut	
13	Push Rod Valve	
14	Valve Stem Seal	
15	Camshaft Shim	

YAMAHA AIR SHROUD STARTER



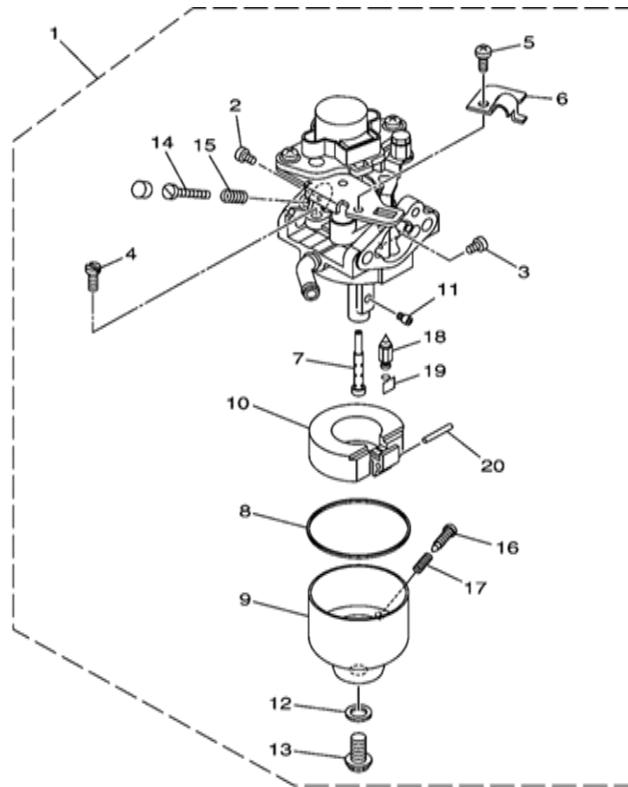
NO.	DESCRIPTION	MAXWATT PART NUMBER
1	Fan Case	
2	Bolt Flange	
3	Cylinder 1 Air Shroud	
4	Plate Damper	
5	Spring Nut 1	
6	Fan Case Pad 3	
7	Plate Damper,	
8	Starter Assembly	SP10058
9	Sheave Drum	
10	Drive Pawl	
11	Starter Spring	
12	Friction Spring	
13	Drive Plate	
14	Screw	
15	Starter Wire	
16	Return Spring	
17	Bolt Flange	

YAMAHA INTAKE



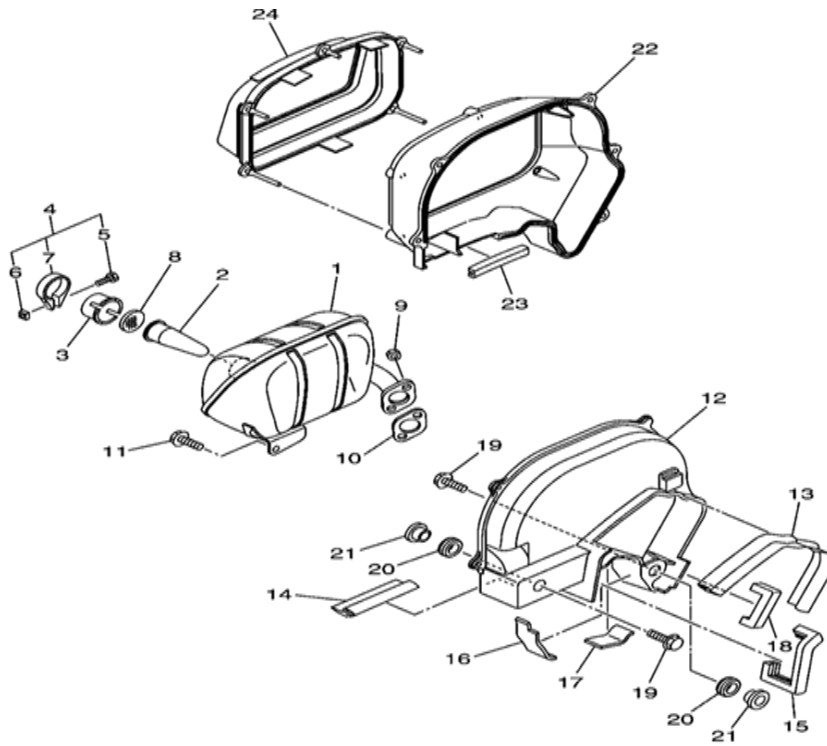
NO.	DESCRIPTION	MAXWATT PART NUMBER
1	Hose	
2	Clip	
3	Fuel Pipe 1	
4	Clip	
5	Joint	
6	Damper	
7	Manifold Gasket	
8	Manifold Gasket	
9	Air Cleaner Case 1	
10	Cleaner Cap Case	
11	Air Cleaner Element	SP10059
12	Air Cleaner Joint 1	
11	Air Cleaner Element	SP10061
13	Binding Screw	
14	Seal	
15	Bolt Flange	
16	Nut Flange	
17	Air Cleaner Gasket	SP10063
18	Nut Spring	

YAMAHA CARBURETTOR



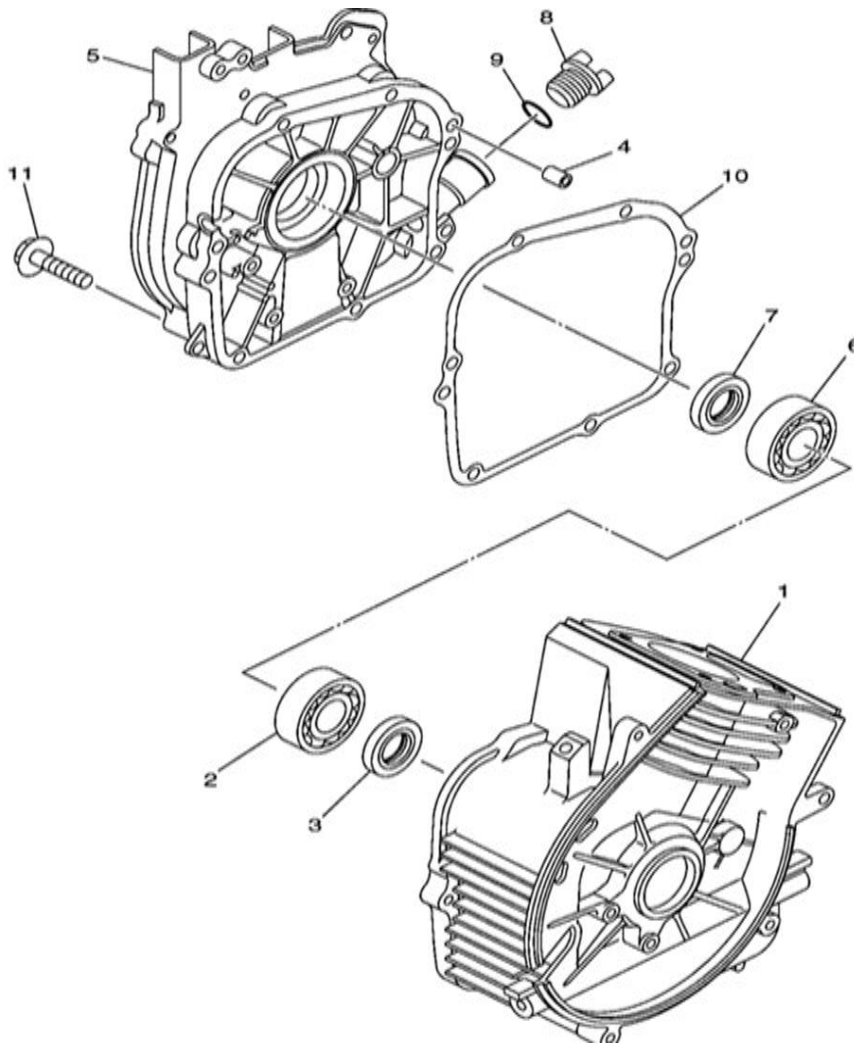
NO.	DESCRIPTION	MAXWATT PART NUMBER
1	Carburetor Assembly 1	SP10064
2	Screw	
3	Screw, Rod	
4	Pilot Jet	
5	Pan Head Screw	
6	Plate	
7	Main Nozzel	
8	Float Chamber Gasket	
9	Float Chamber Body 1	
10	Float	
11	Main Jet	
12	Washer	
13	Holding Bolt	
14	Pilot Adjusting Screw	
15	Pilot Adjusting Spring	
16	Drain Plug	
17	Throttle Stop Screw	
18	Needle Assembly	
19	Clip	
20	Float Pin	

YAMAHA EXHAUST



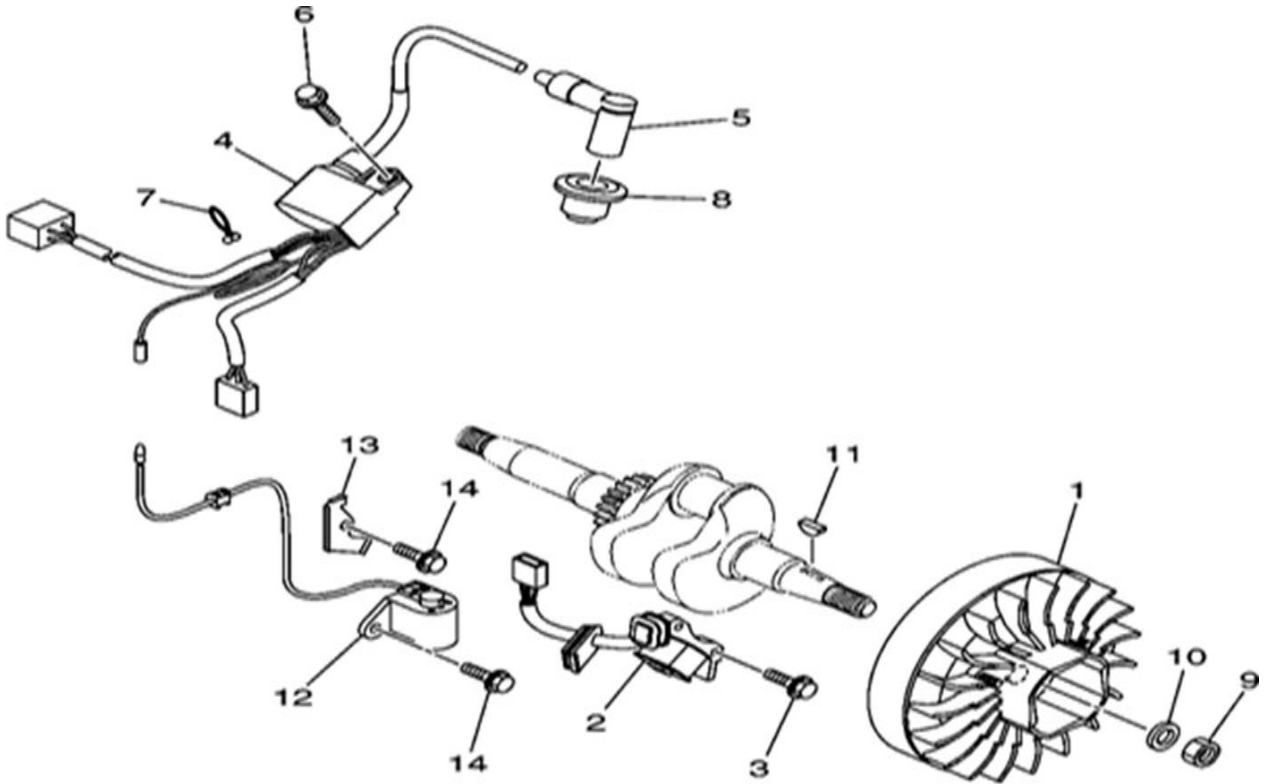
NO.	DESCRIPTION	MAXWATT PART NUMBER
1	Muffler 2	SP10065
2	Spark Arrestor	
3	Cap	
4	Silencer Band	
5	Bolt	
6	Nut	
7	Band 1	
8	Wire Net 2	
9	Nut	
10	Exhaust Pipe Gasket	SP10066
11	Flange Bolt	
12	Protector Assembly 2	
13	Seal	
14	Seal	
15	Protector Seal	
16	Protector Seal 2	
17	Protector Seal	
18	Protector Seal 1	
19	Bolt, Flange	
20	Grommet	
21	Collar	
22	Protector Assembly 2	
23	Protector Seal 1	
24	Duct 1	

YAMAHA CRANKCASE



NO.	DESCRIPTION	MAXWATT PART NUMBER
1	Crankcase 1	
2	Bearing	
3	Oil Seal	
4	Dowel Pin	
5	Crankcase Cover	
6	Bearing	
7	Oil Seal	
8	Oil Plug	
9	O-Ring	
10	Crank Case Cover Gasket1	
11	Bolt, Flange	

YAMAHA TCI MAGNETO



NO.	DESCRIPTION	MAXWATT PART NUMBER
1	Rotor Assembly	SP10067
2	Coil Assembly	SP10068
3	Bolt, Flange	
4	Ignition Coil Assembly	SP10069
5	Plug Cap Assembly	SP10070
6	Bolt, Flange	
7	Clamp	
8	Plug Cap Seal	
9	Nut	
10	Plate Washer	
11	Woodruff Key	
12	Oil Level Gauge Assembly	
13	Clamp	
14	Bolt, Flange	

SPARE PARTS AND SERVICING

WHERE DO I TAKE MY PRODUCT FOR SERVICE OR REPAIR?

Please contact MaxWatt at customercare@maxwatt.com.au we can provide after-sales support for your generator.

Should you experience any problems with your generator, it is recommended that you consult the troubleshooting guide in the Instruction Manual first before contacting us. The most common issues can be resolved quickly in this manner without the inconvenience of having to take your generator to a service agent.

ARE SPARE PARTS AVAILABLE FOR PURCHASE?

Yes, we carry a full range of spare parts for all products. Please check our catalogue for a full list of spare parts and contact us if you need to order anything.

Distributed by:



Shop 15/1440 New Cleveland Rd, Chandler QLD 4155

(07) 3732 5363

customercare@maxwatt.com.au