

MAXWATT®

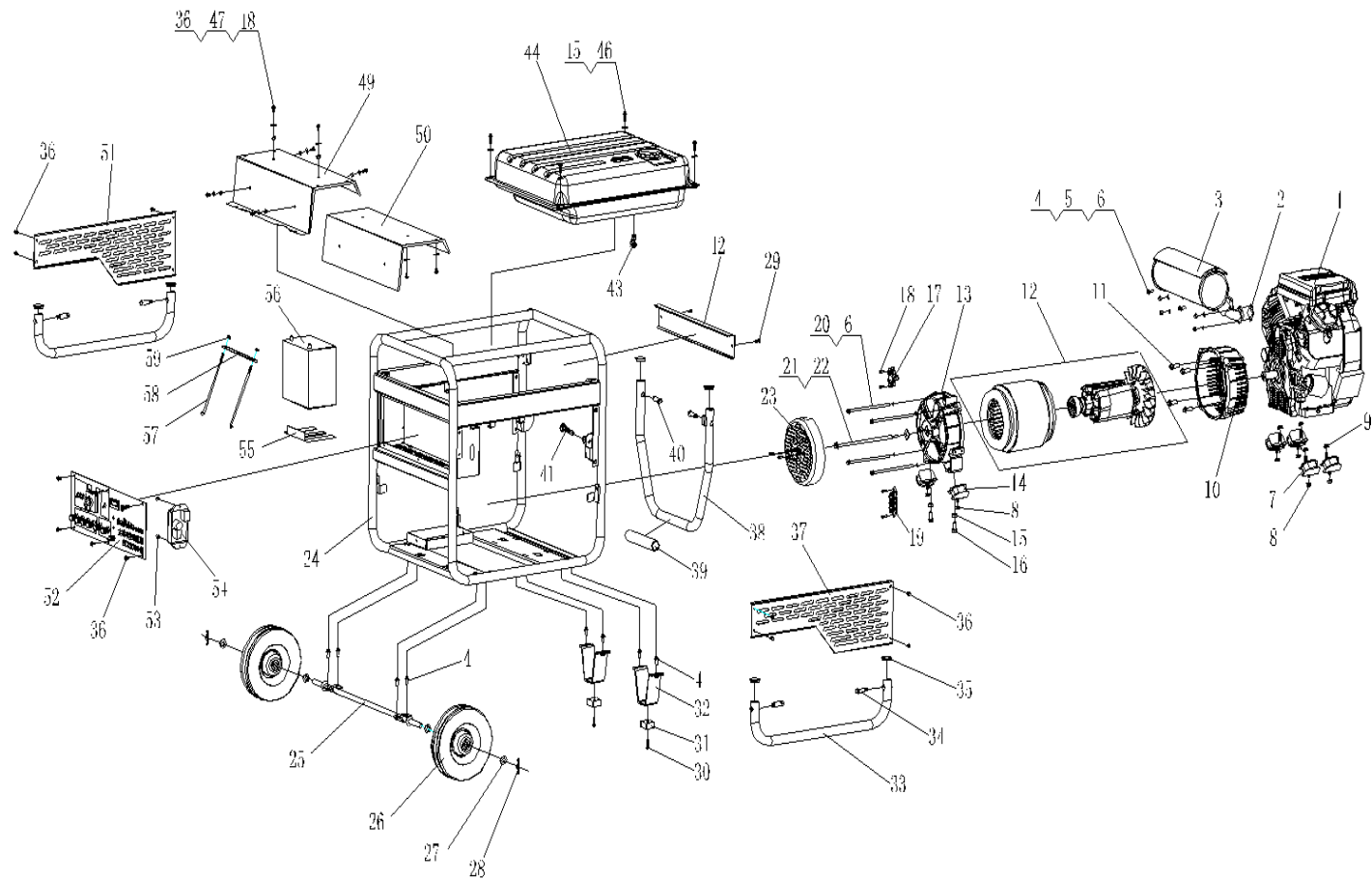
POWER WHEN YOU NEED IT

SPARE PARTS CATALOGUE



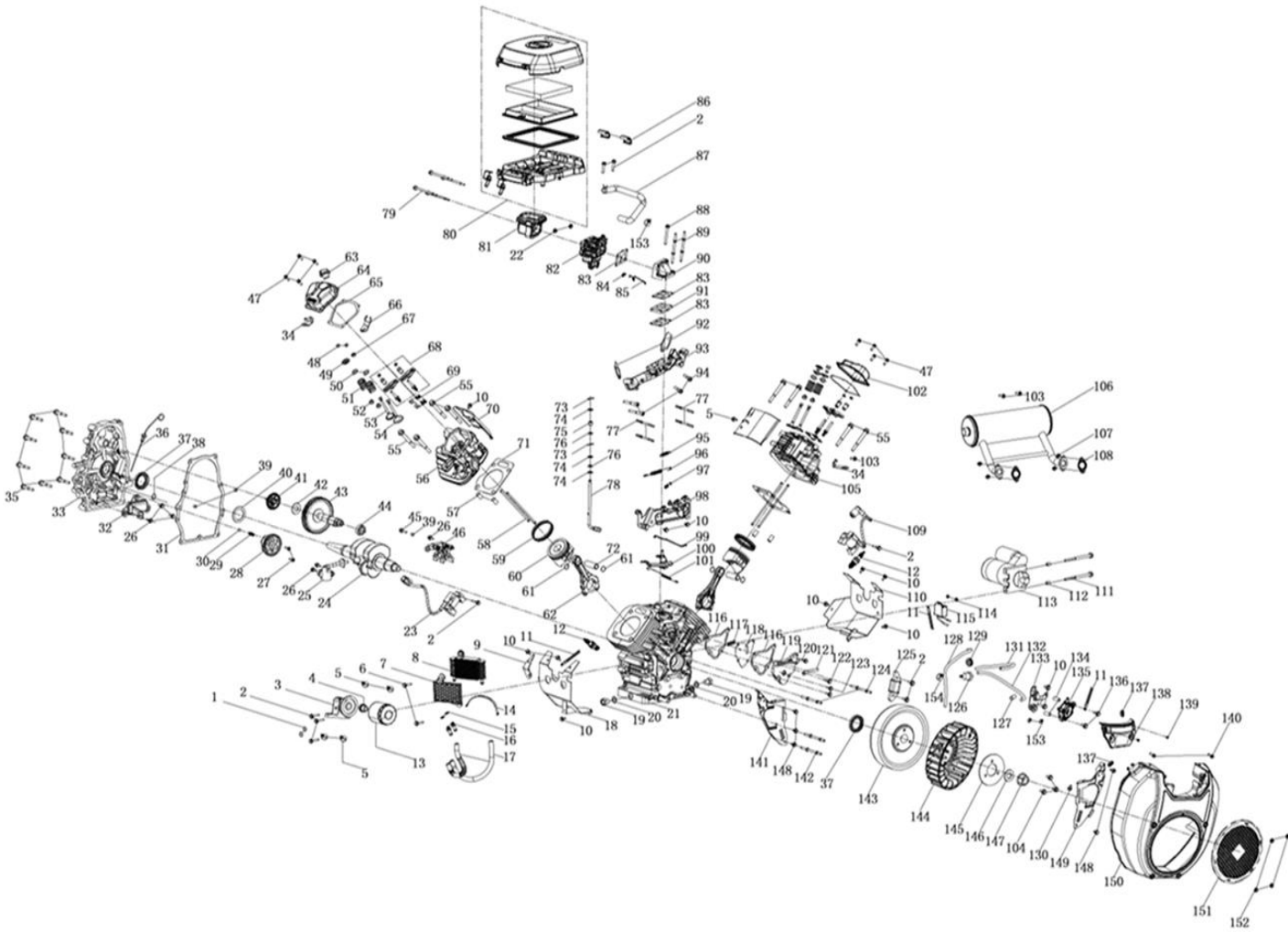
MX13000AS

COMPLETE UNIT



| NO. | DESCRIPTION | MAXWATT PART NUMBER |
|-----|-----------------------------|---------------------|
| 1 | Replacement Engine Assembly | SP13001 |
| 2 | Muffler gasket | SP13002 |
| 3 | Muffler | |
| 4 | Bolt | |
| 5 | Nut | |
| 6 | Spring Washer | |
| 7 | Shock Pad | |
| 8 | Nut | |
| 9 | Nut | |
| 10 | Alternator End Cover | SP13003 |
| 11 | Bolt | |
| 12 | Alternator | SP13004 |
| 13 | Alternator Support | |
| 14 | Shock Pad | |
| 15 | Nut | |
| 16 | Bolt | |
| 17 | Carbon Brush | SP13005 |
| 18 | Blot | |
| 19 | Bolt | |
| 20 | Bolt | |
| 21 | Flat Washer | |
| 22 | Alternator Rear Cover | SP13006 |
| 23 | Frame | |
| 24 | Axle | SP13007 |
| 25 | Wheel Assembly | SP13008 |
| 26 | Flat Washer | |
| 27 | Pin | |
| 28 | Bolt | |
| 29 | Bolt | |
| 30 | Vibration Damping Pads | |
| 31 | Pin | |
| 32 | Plug | |
| 33 | Bolt | |
| 34 | Decoration Plate | |
| 35 | Pin | |
| 36 | Fuel Tank Switch | SP13009 |
| 37 | Fuel Tank Assembly | SP13010 |
| 38 | Bolt | |
| 39 | Fuel Tank Washer | |
| 40 | Washer | |
| 41 | Nut | |
| 42 | Oil Tank Insulation Plate | |
| 43 | Oil Tank Insulation Cotton | |
| 44 | Decoration Plate | |
| 45 | Panel Assembly (MX13000ES) | SP13010 |
| 46 | Panel Assembly (MX13000AS) | SP13012 |
| 47 | Blot | |
| 48 | AVR | SP13013 |
| 49 | Plastic Strip | |
| 50 | Battery | |
| 51 | Blot | |
| 52 | Battery plate | SP13015 |
| 53 | Nut | |
| 54 | Pin | |
| 55 | Spring | |
| 56 | Washer | |
| 57 | Bolt | |

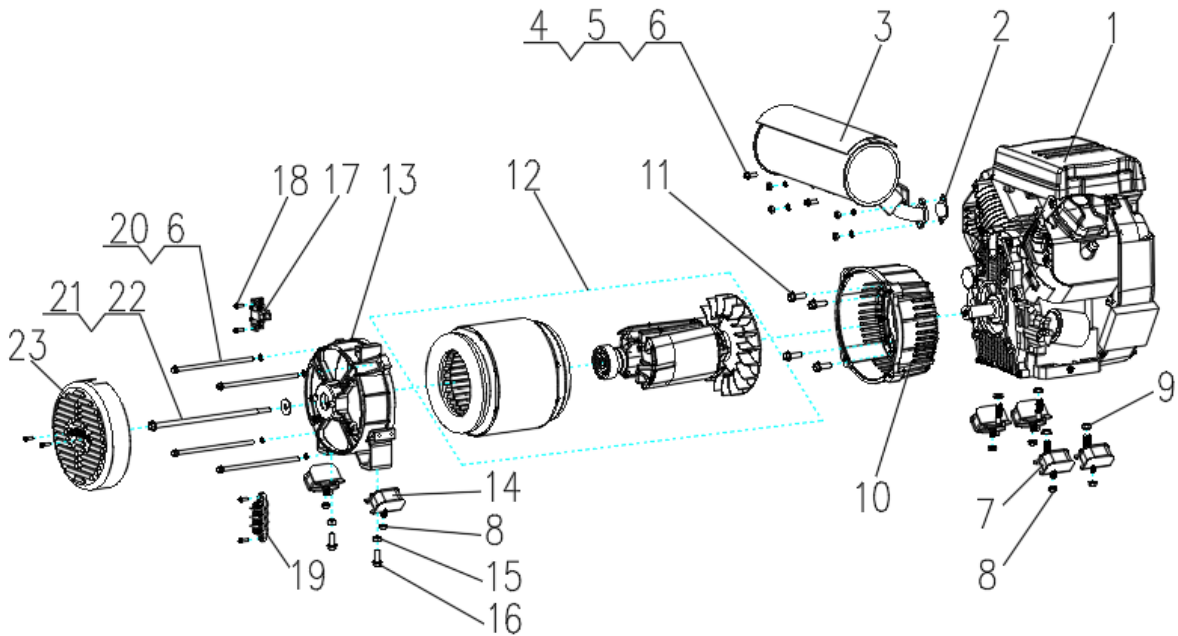
ENGINE



| NO. | DESCRIPTION | MAXWATT PART NUMBER |
|-----|---|---------------------|
| 1 | O-Ring, $\phi 11.2 \times 2.65$ | |
| 2 | Bolt, M6 \times 30 | |
| 3 | Secondary Oil Filter | SP13016 |
| 4 | Connection Pipe | SP13017 |
| 5 | Clamp | |
| 6 | Bolt, M6 \times 25 | |
| 7 | Governor Gear Bracket | |
| 8 | Oil Radiator | SP13018 |
| 9 | Oil Radiator Bracket | SP13019 |
| 10 | Bolt, M6 \times 12 | |
| 11 | Clip | |
| 12 | Spark Plug | SP13020 |
| 13 | Oil Filter | SP13021 |
| 14 | Tape, L=150mm | |
| 15 | Washer, $\phi 10.5 \times 2 \times \phi 18$ | |
| 16 | Fuel Tube Joint | |
| 17 | Fuel Hose, $\phi 9.5 \times \phi 17.5 \times 330$ | SP13022 |
| 18 | Cylinder Head Baffle | SP13023 |
| 19 | Earth Bolt | |
| 20 | Washer, $\phi 14 \times 1.5 \times \phi 22$ | |
| 21 | Crankcase | |
| 22 | Nut, M6 | |
| 23 | Ignition Module MX13000ES | SP13024 |
| 24 | Ignition Module MX13000AS | SP13025 |
| 25 | Crankshaft | |
| 26 | Oil Sensor | SP13026 |
| 27 | Bolt, M6 \times 16 | |
| 28 | Bolt, M6 \times 16 | |
| 29 | Oil Pump | SP13028 |
| 30 | Oil Pump Spring | SP13029 |
| 31 | Steel Ball, $\phi 9.5$ | |
| 32 | Crankcase Gasket | |
| 33 | Breather Filter Screen | |
| 34 | Crankcase Cover | |
| 35 | Lift Hook | |
| 36 | Bolt, M8 \times 50 | |
| 37 | Dipstick | |
| 38 | Oil Seal, $\phi 38 \times \phi 58 \times 8$ | |
| 39 | O-Ring, $\phi 13.2 \times 2.65$ | |
| 40 | Pin, $\phi 8 \times 12$ | |
| 41 | Washer, $\phi 38.5 \times 1 \times \phi 54$ | |
| 42 | Governor Gear | |
| 43 | Washer, $\phi 17.4 \times 1 \times \phi 25.9$ | |
| 44 | Camshaft | |
| 45 | Bearing, 6003 | |
| 46 | Bolt, M6 \times 25 | |
| 47 | Lower Rocker Arm | |
| 48 | Bolt, M6 \times 22 | |
| 49 | Valve Adjust Cap, Exhaust | |
| 50 | Valve Spring Seat | |
| 51 | Valve Locker | |
| 52 | Valve Spring | |
| 53 | Valve Spring Seat | |
| 54 | Exhaust Valve | |
| 55 | Intake Valve | |
| 56 | Bolt, M10 \times 1.25 \times 87 | |
| 57 | Cylinder Head | |
| 58 | Pin, $\phi 12 \times 20$ | |
| 59 | Push Rod | |
| 60 | Piston Ring Set | |
| 61 | Piston | |
| 62 | Circlip | |
| 63 | Connecting Rod Assembly | |
| 64 | Oil Plug | SP13030 |
| 65 | Valve Cover | |
| 66 | Valve Cover Gasket | |
| 67 | Bush Bracket | |
| 68 | Intake Valve Seal | |
| 69 | Rocker Arm Assembly | |
| 70 | Rocker Arm Base | |
| 71 | Shroud | |
| 72 | Gasket, Cylinder Head | |
| 73 | Piston Pin | |
| 74 | Cotter Pin | |
| 75 | Washer, $\phi 8.5 \times 2 \times \phi 15.8$ | |

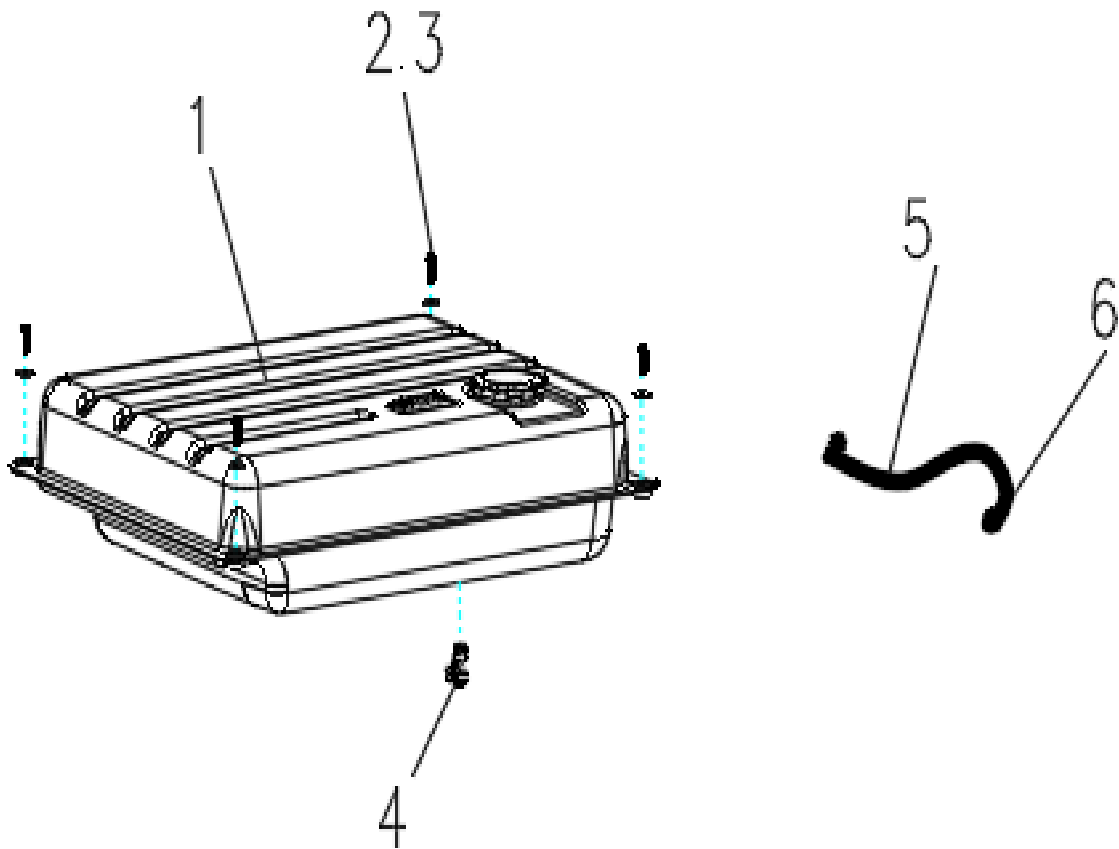
| | | |
|-----|---|---------|
| 76 | Oil Seal, $\phi 8 \times \phi 14 \times 4$ | |
| 77 | Bearing, HK081210 | |
| 78 | Stud, M8 \times 34 | |
| 79 | Governor Gear Shaft | |
| 80 | Bolt, M6 \times 90 | |
| 81 | Air Filter Assembly | |
| | Air Filter Tube | SP13031 |
| | Air Filter Elements | |
| | Replacement Air Filter Element | SP13032 |
| 82 | Carburetor MX13000AS | |
| 83 | Gasket, Carburetor MX13000AS | SP13033 |
| 84 | Choke Linkage Lock Clamp | |
| 85 | Choke Lever | |
| 86 | Buffer Wear Jacket | |
| 87 | Breather Hose | |
| 88 | Bolt, M6 \times 65 | |
| 89 | Stud | |
| 90 | Intake Manifold | |
| 91 | Insulator | |
| 92 | Intake Manifold Gasket | |
| 93 | Intake Manifold | |
| 94 | Bolt, M8 \times 50 | |
| 95 | Governor Spring | |
| 96 | Governor Spring | |
| 97 | Choke Spring | |
| 98 | Governor Gear Bracket Assembly | |
| 99 | Throttle Linkage | |
| 100 | Governor Lever | |
| 101 | Idle Spring | |
| 102 | Valve Cover | |
| 103 | Bolt, M8 \times 16 | |
| 104 | Bolt, M8 \times 20 | |
| 105 | Cylinder Head | |
| 106 | Muffler | SP13027 |
| 107 | Nut, M8 | |
| 108 | Muffler Gasket | SP13036 |
| 109 | Ignition Module | SP13037 |
| 110 | Cylinder Head Baffle | |
| 111 | Bolt, M8 \times 110 | |
| 112 | Pin, $\phi 10 \times 12$ | |
| 113 | Electric Starter | SP13038 |
| 114 | Nut, M5 | |
| 115 | Integrated Rectifier Device | SP13039 |
| 116 | Gasket, Breather Cover | |
| 117 | Breather Filter Screen | |
| 118 | Breather Cover | |
| 119 | Breather Cover | |
| 120 | Bolt, M6 \times 30 | |
| 121 | Wire Board | |
| 122 | Bolt, M6 \times 35 | |
| 123 | Bolt, M6 \times 16 | |
| 124 | Stud, M6 \times 122 | |
| 125 | Charging Coil | SP13040 |
| 126 | Fuel Filter | SP13041 |
| 127 | Fuel Hose Jacket | SP13042 |
| 128 | Fuel Hose | SP13043 |
| 129 | Fuel Hose Jacket | SP13044 |
| 130 | Bolt, M6 \times 10 | |
| 131 | Fuel Hose | SP13045 |
| 132 | Fuel Hose | SP13046 |
| 133 | Fuel Pump Bracket | |
| 134 | Bush, $\phi 6.5 \times \phi 10 \times 24$ | |
| 135 | Fuel Pump | SP13047 |
| 136 | Bolt, M6 \times 40 | |
| 137 | Spray Head Washer | |
| 138 | Choke Plate | |
| 139 | Self-tapping Screw, ST4.2 \times 25 | |
| 140 | Bolt | |
| 141 | Shroud, Left | |
| 142 | Stud, M6 \times 112.5 | |
| 143 | Flywheel | |
| 144 | Cooling Fan | SP13048 |
| 145 | Cooling Fan Plate | SP13049 |
| 146 | Washer, $\phi 20.5 \times 5 \times \phi 40$ | |
| 147 | Nut, M20 \times 1.5 | |
| 148 | Bolt, M6 \times 10 | |
| 149 | Right Shroud | |
| 150 | Blower Housing | |
| 151 | Shroud | |
| 152 | Nut, M6 | |
| 153 | Clamp | |
| 154 | Clamp | |

COMPLETE MACHINE



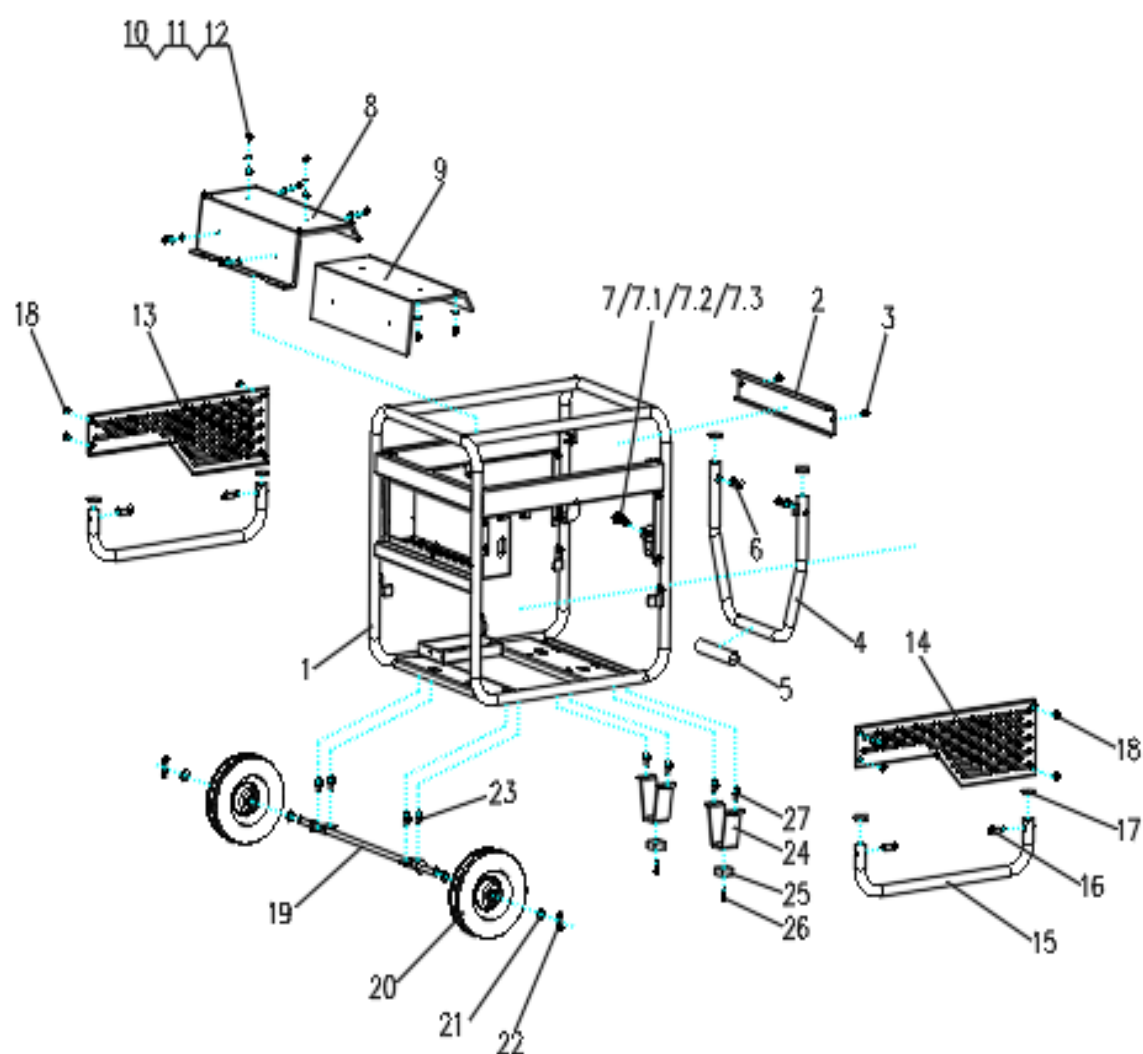
| NO. | DESCRIPTION | MAXWATT PART NUMBER |
|-----|----------------------|---------------------|
| 1 | Engine | SP13001 |
| 2 | Muffler Washer | |
| 3 | Muffler | SP13002 |
| 4 | Bolt | |
| 5 | Hex Nut | |
| 6 | Spring Washer | |
| 7 | Shock Absorber | |
| 8 | Hex Nut | |
| 9 | Hex Nut | |
| 10 | Alternator Cover | |
| 11 | Hex Bolt | |
| 12 | Alternator | SP13004 |
| 13 | Alternator Support | |
| 14 | Shock Absorber | |
| 15 | Hex Nut | |
| 16 | Hex Bolt | |
| 17 | Carbon Brush | SP13005 |
| 18 | Hex Bolt | |
| 19 | Wiring Board | |
| 20 | Hex Bolt | |
| 21 | Hex Bolt | |
| 22 | Washer | |
| 23 | Alternator End Cover | SP13003 |

FUEL TANK



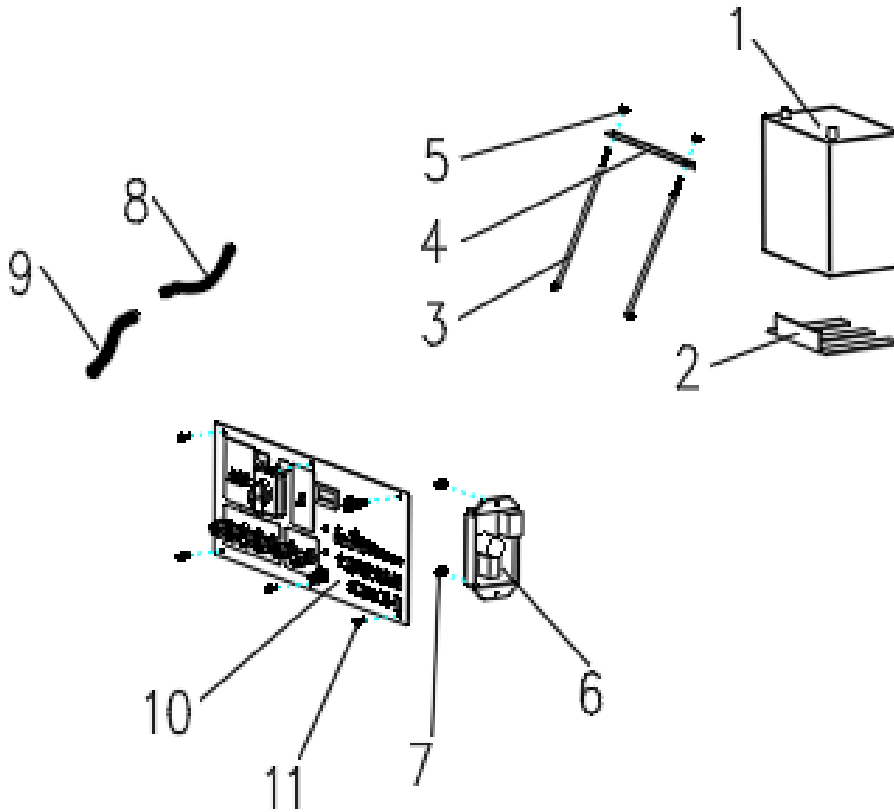
| NO. | DESCRIPTION | MAXWATT PART NUMBER |
|-----|--------------------|---------------------|
| 1 | Fuel Tank Assembly | SP13010 |
| 2 | Hex Bolt | |
| 3 | Fuel Tank Washer | |
| 4 | Fuel Tank Switch | SP13009 |
| 5 | Fuel Pipe | |
| 6 | Clip | |

FRAME



| NO. | DESCRIPTION | MAXWATT PART NUMBER |
|-----|-----------------------|---------------------|
| 1 | Frame Components | |
| 2 | Frame Beam | |
| 3 | Hex Bolt | |
| 4 | Handle Component | |
| 5 | Handle Rubber Cover | |
| 6 | Handle Locating Pin | |
| 7 | Puller Components | |
| 8 | Spring | |
| 9 | Pin | |
| 10 | Hex Bolt | |
| 11 | Fuel Tank Heat Shield | |
| 12 | Fuel Tank Heat Cotton | |
| 13 | Washer | |
| 14 | Nylon Nut | |
| 15 | Hex Bolt | |
| 16 | Decorated Board | |
| 17 | Decorated Board | |
| 18 | Handle Component | |
| 19 | Handle Locating Pin | |
| 20 | Plug | |
| 21 | Hex Bolt | |
| 22 | Wheel Assembly | SP13007 |
| 23 | Wheel Assembly | SP13008 |
| 24 | Washer | |
| 25 | Locating Pin Clip | |
| 26 | Bolt | |
| 27 | Support | |
| 28 | Shock Absorber | |
| 29 | Hex Bolt | |
| 30 | Hex Bolt | |

RACK



| NO. | DESCRIPTION | MAXWATT PART NUMBER |
|-----|------------------------|---------------------|
| 1 | Battery | |
| 2 | Rubber Cover | |
| 3 | Battery Install Bolt | |
| 4 | Battery Plate | SP13015 |
| 5 | Hex Nut | |
| 6 | Regulator | SP13013 |
| 7 | Hex Bolt | |
| 8 | Wire | |
| 9 | Wire | |
| 10 | Control Panel Assembly | SP13012 |
| 11 | Hex Bolt | |

| NO. | ADDITIONAL PARTS | MAXWATT PART NUMBER |
|-----|--|---------------------|
| 1 | Push Button Start Module With Remote Control | SP13054 |
| 2 | 30 Amp Circuit Breaker | SP13052 |
| 3 | 15 Amp Circuit Breaker | SP13053 |
| 4 | 42 Amp Circuit Breaker | SP13051 |
| 5 | RCD | SP13050 |

SPARE PARTS AND SERVICING

WHERE DO I TAKE MY PRODUCT FOR SERVICE OR REPAIR?

Please contact MaxWatt at customercare@maxwatt.com.au we can provide after-sales support for your generator.

Should you experience any problems with your generator, it is recommended that you consult the troubleshooting guide in the Instruction Manual first before contacting us. The most common issues can be resolved quickly in this manner without the inconvenience of having to take your generator to a service agent.

ARE SPARE PARTS AVAILABLE FOR PURCHASE?

Yes, we carry a full range of spare parts for all products. Please check our catalogue for a full list of spare parts and contact us if you need to order anything.

Distributed by:



Shop 15/1440 New Cleveland Rd, Chandler QLD 4155

(07) 3732 5363

customercare@maxwatt.com.au